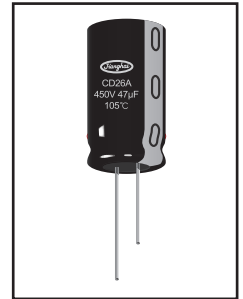
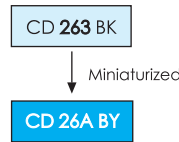


2000h at 105°C

- Miniaturized ,High Voltage
- Especially Designed For Charger

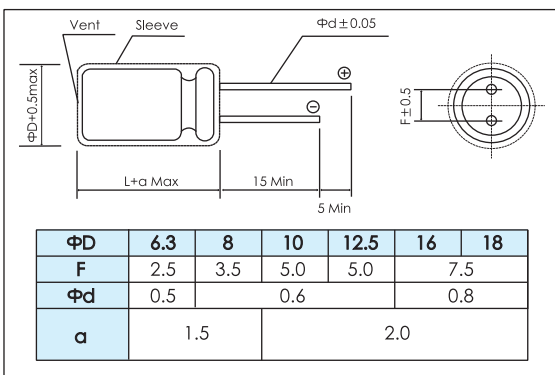


Items	Characteristics			
Operating Temperature Range (°C)	-25 ~ +105			
Voltage Range (V)	400 ~ 500			
Capacitance Range (μF)	1 ~ 47			
Capacitance Tolerance (20°C, 120Hz)	± 20%			
Leakage Current (μA)	After 1 minute at 20°C application of rated voltage, leakage current is not more than 0.02CV. C: Nominal Capacitance (μF) V: Rated Voltage (V)			
Dissipation Factor (20°C, 120Hz)	Rated Voltage (V)	400	450	500
	Tan δ (max)	0.20		
Stability at Low Temperature (Impedance Ratio at 120Hz)	Rated Voltage (V)	400	450	500
	Z _{-25°C} / Z _{+20°C}	6	6	8

	Useful Life		Load Life	Endurance Test	Shelf Life
Lifetime	Φ ≤ 8 : 2000h Φ ≥ 10 : 3000h	≥ 100000h	Φ ≤ 8 : 1000h Φ ≥ 10 : 2000h	2000h	1000h
Leakage Current	Not more than specified value		Not more than specified value	Not more than specified value	Not more than specified value
Capacitance Change	Within ± 30% of initial value		Within ± 20% of initial value	Within ± 20% of initial value	Within ± 20% of initial value
Dissipation Factor	Not more than 300% of specified value		Not more than 200% of specified value	Not more than 200% of specified value	Not more than 200% of specified value
Condition: Applied Voltage Applied Current Applied Temperature	U _R I _R 105°C	U _R 1.2 × I _R 40°C	U _R I _R 105°C	U _R I _R = 0 105°C	U _R = 0 I _R = 0 105°C After test: U _R to be applied for 30min >24h before measurement

Dimensions

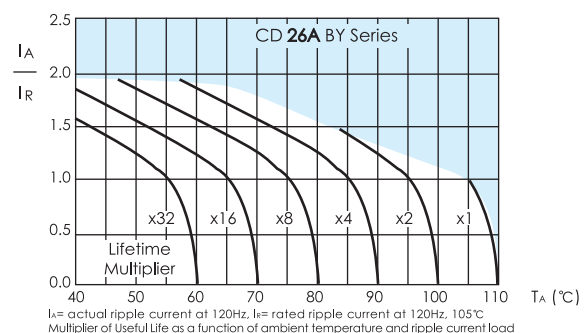
mm



Frequency Coefficient

Frequency(Hz)	120	1k	10k	100k
Cap(μF)				
400 ~ 500V	1.0	1.6	1.8	2.0

Lifetime Diagram



Temperature Coefficient

Temperature(°C)	+70	+85	+105
Coefficient	1.8	1.4	1.0

CD 26A BY SERIES



Ratings for CD 26A BY Series

U_R (Surge Voltage) Code	Rated Capa- cittance	Max ESR 20°C, 120Hz	Typ ESR 20°C, 120Hz	Rated Ripple Current 105°C, 120Hz	Size $\Phi D \times L$	P/N
(V)	(μF)	(Ω)	(Ω)	(mA _{rms})	(mm)	-
400 (450) 2G	1	265.4	132.7	18	6.3×9	ECR2GBY010M□□063009
		265.4	132.7	20	6.3×11.5	ECR2GBY010M□□063011
	1.8	147.4	73.7	24	6.3×9	ECR2GBY1R8M□□063009
		147.4	73.7	26	6.3×11.5	ECR2GBY1R8M□□063011
	2.2	120.6	60.3	29	6.3×11.5	ECR2GBY2R2M□□063011
		120.6	60.3	30	8×9	ECR2GBY2R2M□□080009
	3.3	80.4	40.2	37	8×9	ECR2GBY3R3M□□080009
		80.4	40.2	41	8×11.5	ECR2GBY3R3M□□080011
	4.7	56.5	28.2	49	8×11.5	ECR2GBY4R7M□□080011
		56.5	28.2	50	10×9	ECR2GBY4R7M□□100009
	6.8	39.0	19.5	68	8×16	ECR2GBY6R8M□□080016
		8.2	32.4	16.2	75	8×16
			32.4	16.2	76	10×12.5
	10	26.5	13.3	83	8×16	ECR2GBY100M□□080016
15	17.7	8.8	115	10×16	ECR2GBY150M□□100016	
22	12.1	6.0	173	12.5×20	ECR2GBY220M□□125020	
33	8.0	4.0	212	12.5×25	ECR2GBY330M□□125025	
47	5.6	2.8	292	16×25	ECR2GBY470M□□160025	
450 (500) 2W	1	265.4	132.7	18	6.3×9	ECR2WBY010M□□063009
		265.4	132.7	20	6.3×11.5	ECR2WBY010M□□063011
	1.8	147.4	73.7	26	6.3×11.5	ECR2WBY1R8M□□063011
		147.4	73.7	30	8×11.5	ECR2WBY1R8M□□080011
	2.2	120.6	60.3	30	8×9	ECR2WBY2R2M□□080009
		120.6	60.3	34	8×11.5	ECR2WBY2R2M□□080011
	3.3	80.4	40.2	41	8×11.5	ECR2WBY3R3M□□080011
	4.7	56.5	28.2	58	10×12.5	ECR2WBY4R7M□□100012
		56.5	28.2	48	8×11.5	ECR2WBY4R7M□□080011
	6.8	39.0	19.5	69	10×12.5	ECR2WBY6R8M□□100012
		39.0	19.5	77	10×16	ECR2WBY6R8M□□100016
	8.2	32.4	16.2	85	10×16	ECR2WBY8R2M□□100016
		32.4	16.2	93	10×20	ECR2WBY8R2M□□100020
	10	26.5	13.3	94	10×16	ECR2WBY100M□□100016
15	17.7	8.8	130	12.5×16	ECR2WBY150M□□125016	
22	12.1	6.0	173	12.5×20	ECR2WBY220M□□125020	
33	8.0	4.0	234	12.5×25	ECR2WBY330M□□125025	
	8.0	4.0	245	16×20	ECR2WBY330M□□160020	
47	5.6	2.8	324	16×25.5	ECR2WBY470M□□160025	
	5.6	2.8	316	18×20.5	ECR2WBY470M□□180020	
500 (550) 2H	3.3	80.4	48.3	43	8×16	ECR2HBY3R3M□□080016
	4.7	56.5	33.9	59	10×16	ECR2HBY4R7M□□100016
	6.8	39.0	23.4	78	10×20	ECR2HBY6R8M□□100020
	8.2	32.4	19.4	85	10×20	ECR2HBY8R2M□□100020
	10	26.5	15.9	107	12.5×20	ECR2HBY100M□□125020

Customer products are available on request.