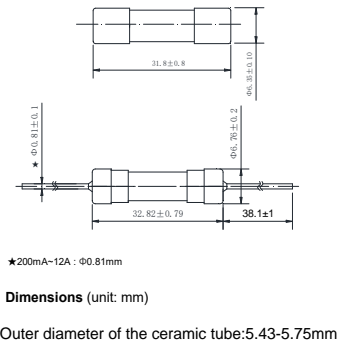


691 Miniature cartridge Fuse



Main Characteristics
Miniature cartridge fuse; Fast-Acting(F)

Standard

UL 248-1

Materials

Tube: Ceramic Tube
End Caps: Silver plated copper

Operating Temperature

-55°C to +125°C

Storage Conditions

+10°C to +60°C
Relative humidity: $\leq 75\%$ yearly average
Without dew, maximum 30 days at 95%

Vibration Resistance

24 cycles at 15 min. each (60068-6)
10-60Hz at 0.75mm amplitude
60-2000Hz at 10g acceleration

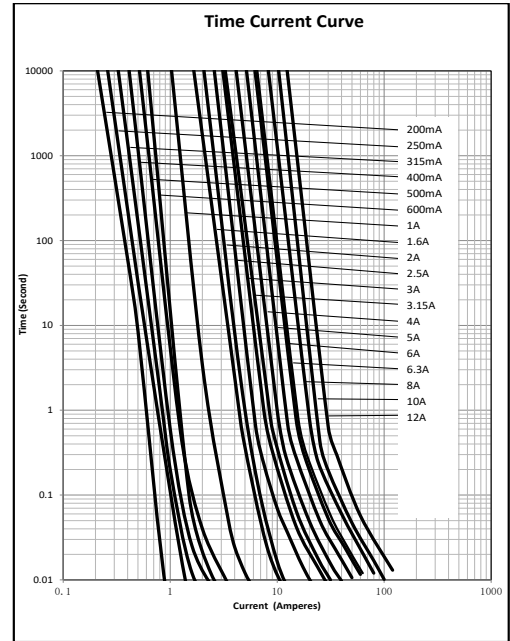
Soldering Parameters

260°C. ≤ 5 sec (Wave Soldering)
350°C. ≤ 3 sec (Hand Soldering)

Soldering Peak:

260°C. 10 sec. (IEC 60068-20)

Average Time Current(I-T Curve)



Time vs Current Characteristics: UL 248-1

Rated Current	100%	250%
200mA~12A	>4H	<120s



Electrical Characteristics at 25°C

Amp Code	Rated Current	Rated Voltage	Typical Voltage Drop (mV)	Breaking Capacity	Typical Melting I ² T (A ² s)	Typical Cold Resistance (mΩ)	Approvals	
							cURus	TUV
0200	200mA	660V AC 660V DC	850	10KA@660V AC 10KA@660V DC	0.003	3900	•	•
0250	250mA		828		0.009	2755	•	•
0315	315mA		568		0.030	1900	•	○
0400	400mA		890		0.038	1875	•	•
0500	500mA		616		0.041	1160	•	•
0600	600mA		765		0.072	1035	•	•
1100	1.00A		553		0.230	450	•	○
1160	1.60A		307		0.890	160	•	○
1200	2.00A		381		1.28	155	•	○
1250	2.50A		275		3.91	89	•	○
1300	3.00A		218		7.74	64	•	○
1315	3.15A		230		9.92	60	•	○
1400	4.00A		223		15.5	44	•	○
1500	5.00A		221		26.5	33	•	○
1600	6.00A		214		41.8	26	•	○
1630	6.30A		230		47.0	25	•	○
1800	8.00A		203		76.8	18	•	○
2100	10.00A		242		101.4	16.8	•	•
2120	12.00A		233		187.2	12.8	•	○

Note:

- (1) DC cold resistance are measured at <10% of rated current in ambient temperature of 25°C.
- (2) Typical pre-arcing I²t are measured at 10I_n current.

Ordering Information

Series	Amp Code	Supplementary Code	Qty
691			