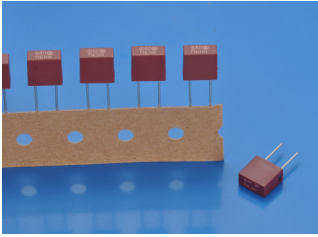


931 Box Subminiature Fuse



Main Characteristics

Box subminiature fuse; Fast-Acting (F)

Standard

IEC 60127

Materials

Fuse body: Thermoplastic

Lead: Tin plated copper

Operating Temperature

-55°C to +125°C

Storage Conditions

+10°C to +60°C

Relative humidity: ≤75% yearly average without dew, maximum 30 days at 95%

Vibration Resistance

24 cycles at 15 min. each (60068-6)

10-60Hz at 0.75mm amplitude

60-2000Hz at 10g acceleration

Soldering Parameters

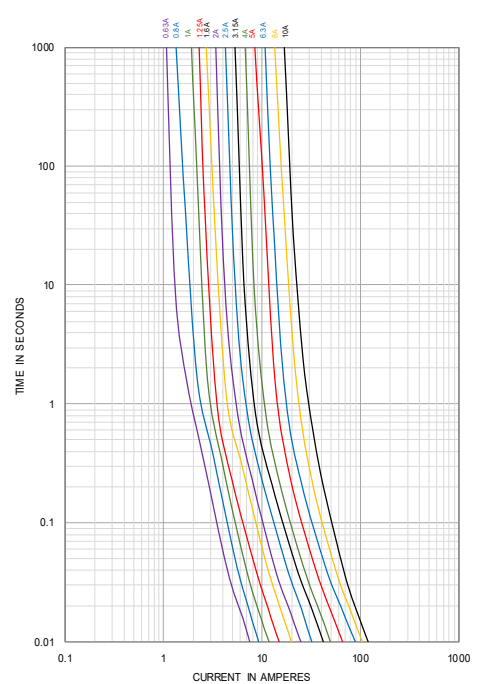
260°C. ≤5 sec (Wave Soldering)

350°C. ≤3 sec (Hand Soldering)

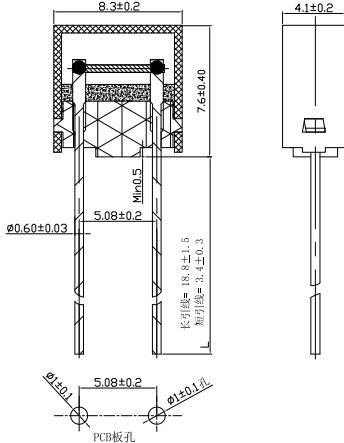
Soldering Peak:

260°C. 10 sec. (IEC 60068-20)

Average Time Current (I-T Curves)



Dimensions (unit:mm)



Conventional products are braided products, and refer to EPS specification for details.

Rated Current	150%	210%	275%	400%	1000%
100mA-5A	>1h	<30min	10ms~3s	3ms~300ms	≤20ms
>5A-10A	>1h	<30min	50ms-10s	5ms~400ms	≤20ms



Electrical Characteristics at 25°C

Amp Code	Rated Current	Rated Voltage	Typical Cold Resistance (mΩ)	Nominal Melting I ² T (A ² sec)	Breaking Capacity	Approvals				
						cURus 125V	cURus 250V	CCC	TUV	PSE
1100	1.00A	125V AC 250V AC	63.0	0.84	130A@125V AC 130A@250V AC	•	•	•	•	○
1125	1.25A		45.0	1.44		•	•	•	•	○
1160	1.60A		35.0	2.25		•	•	•	•	○
1200	2.00A		33.5	6.25		•	•	•	•	○
1250	2.50A		25.0	10.24		•	•	•	•	○
1315	3.15A		19.4	17.60		•	•	•	•	○
1400	4.00A		14.37	25.00		•	•	•	•	○
1500	5.00A		11.5	42.25		•	•	•	•	•
1630	6.30A		7.40	81.00		•	•	•	○	○
1800	8.00A		5.75	110		•	•	•	○	○
2100	10.00A		4.20	144		•	•	○	○	○

- Notes:**
- (1) Permissible continuous operating current is ≤100% at ambient temperature of 23°C (73.4°F)
 - (2) The cURus certification by 125V and 250V; the others certification only by 250V.
 - (3) The current values used for calculating I²T should be within the standard range of 8ms ~ 10ms.

Ordering Information

Series	Amp Code	Supplementary Code	Qty
931			