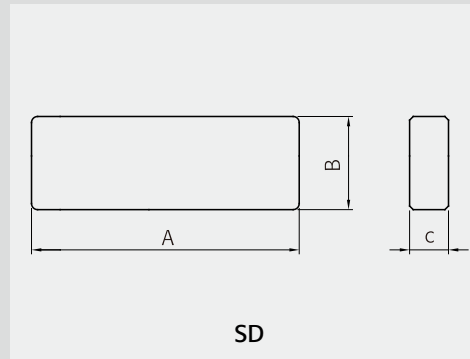


AR, AP, SD CORES

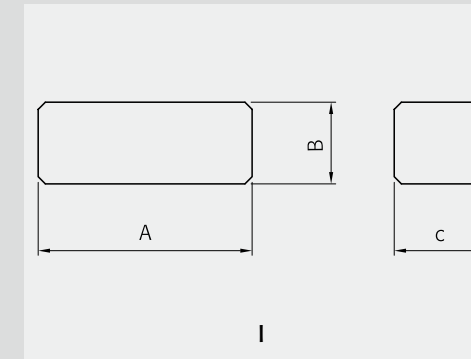


SD

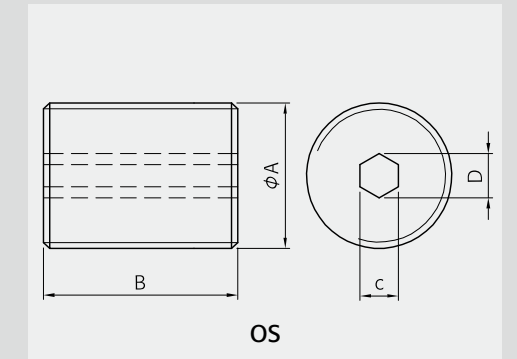
Dimensions in mm

Part No.	Type	A	B	C
AP8×10×4	AP	8.00 ±0.15	10.00 ±0.20	4.00 ±0.15
AP40×8×2	AP	40.00 ±1.00	8.00 ^{+0.10} _{-0.30}	2.00 ^{+0.10} _{-0.30}
AP41×41×9.5	AP	41.00 ±0.50	41.00 ±0.50	9.50 ±0.30
AP50×30.5-12T	AP	50.00 ±0.50	30.50 ±0.50	12.00 ±0.30
AP50×31×10	AP	50.00 ±0.50	31.00 ±0.50	10.00 ±0.30
AP80×12×5	AP	80.00 ^{+0.00} _{-1.30}	12.00 ±0.25	5.00 ^{+0.00} _{-0.50}
AP100×12×5	AP	100.00 ^{+0.00} _{-1.50}	12.00 ±0.30	5.00 ^{+0.00} _{-0.50}
AP160×20×4	AP	160.00 ±2.00	19.50 ±0.50	4.00 ^{+0.00} _{-0.50}
SD50×12-3T	SD	50.00 ±0.40	12.00 ±0.15	3.00 ±0.06
SD53×12-3T	SD	53.00 ±0.40	12.00 ±0.15	3.00 ^{+0.50} _{-0.10}
SD60×6-2T	SD	60.00 ^{+0.00} _{-0.40}	6.00 ±0.15	2.00 ±0.10
SD60×15-5T	SD	60.00 ±0.70	15.00 ±0.30	5.00 ^{+0.10} _{-0.20}
SD60×20-4T	SD	60.00 ±0.70	20.00 ±0.30	4.00 ±0.15
SD80×15-5T	SD	80.00 ±0.70	15.00 ±0.30	5.00 ^{+0.10} _{-0.20}
SD100×16×9	SD	101.00 ^{+0.50} _{-0.20}	16.00 ±0.30	9.00 ±0.30
SD100×25×4.5	SD	100.00 ^{+0.50} _{-0.20}	25.00 ±0.30	4.50 ±0.30
SD100×25-5T	SD	100.00 ±1.00	25.00 ±0.30	5.00 ±0.30
SD100×25-8T	SD	100.00 ±1.00	25.00 ±0.30	8.00 ±0.30
SD105×15-5T	SD	105.00 ±0.80	15.00 ±0.20	5.00 ±0.20

I, OS CORES



I



OS

Dimensions in mm

Part No.	Type	A	B	C	D	Pitch
I4316S	I	16.00 ^{+0.15} _{-0.25}	4.00 ±0.15	3.00 ±0.15		
I4324S	I	23.50 ^{+0.30} _{-0.20}	4.00 ±0.20	3.00 ±0.20		
I4335S	I	35.20 ±0.20	4.00 ±0.20	2.50 ±0.20		
I4416S	I	16.00 ^{+0.15} _{-0.25}	4.00 ±0.20	4.00 ±0.20		
I4430L	I	30.20 ±0.20	4.00 ±0.20	4.00 ±0.20		
I4430S	I	30.00 ±0.30	4.00 ±0.20	4.00 ±0.20		
I93	I	93.00 ±1.80	27.50 ±0.50	30.00 ±0.60		
I100x25-25A	I	101.60 ±2.00	25.40 ±0.80	25.40 ±0.80		
OS5.75×15-2.6HH P1.0	OS	5.75 ±0.03	15.00 ±0.30	2.60 ^{+0.15} _{-0.05}	3.00 ref.	1.00 ref.
OS5.8×10-2.6HH P1.0	OS	5.80 ±0.03	10.00 ±0.30	2.60 ^{+0.15} _{-0.05}	3.00 ref.	1.00 ref.
OS6×10-2.6HH P0.75	OS	6.00 ±0.03	10.00 ±0.50	2.60 ^{+0.15} _{-0.05}	3.00 ref.	0.75 ±0.03
OS6×10-2.6HH P1.0	OS	6.00 ±0.03	10.00 ±0.50	2.60 ^{+0.15} _{-0.05}	3.00 ref.	1.00 ref.
OS6×15-2.6HH P1.0	OS	6.00 ±0.03	15.00 ±0.60	2.60 ^{+0.15} _{-0.05}	3.00 ref.	1.00 ref.
OS6×15-2.6HH P0.75	OS	6.00 ±0.03	15.00 ±0.25	2.60 ^{+0.15} _{-0.05}	3.00 ref.	0.75 ±0.03