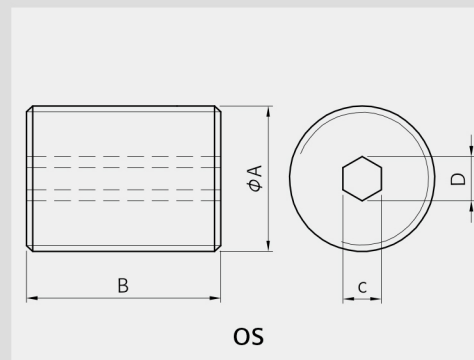
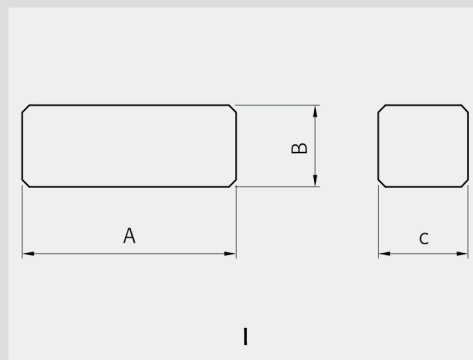


I, OS CORES



Dimensions in mm

Part No.	Type	A	B	C	D	Pitch
I4316S	I	16.00 ^{+0.15} _{-0.25}	4.00 ±0.15	3.00 ±0.15		
I4324S	I	23.50 ^{+0.30} _{-0.20}	4.00 ±0.20	3.00 ±0.20		
I4335S	I	35.20 ±0.20	4.00 ±0.20	2.50 ±0.20		
I4416S	I	16.00 ^{+0.15} _{-0.25}	4.00 ±0.20	4.00 ±0.20		
I4430L	I	30.20 ±0.20	4.00 ±0.20	4.00 ±0.20		
I4430S	I	30.00 ±0.30	4.00 ±0.20	4.00 ±0.20		
I93	I	93.00 ±1.80	27.50 ±0.50	30.00 ±0.60		
I100x25-25A	I	101.60 ±2.00	25.40 ±0.80	25.40 ±0.80		

OS5.75×15-2.6HH P1.0	OS	5.75 ±0.03	15.00 ±0.30	2.60 ^{+0.15} _{-0.05}	3.00 ref.	1.00 ref.
OS5.8×10-2.6HH P1.0	OS	5.80 ±0.03	10.00 ±0.30	2.60 ^{+0.15} _{-0.05}	3.00 ref.	1.00 ref.
OS6×10-2.6HH P0.75	OS	6.00 ±0.03	10.00 ±0.50	2.60 ^{+0.15} _{-0.05}	3.00 ref.	0.75 ±0.03
OS6×10-2.6HH P1.0	OS	6.00 ±0.03	10.00 ±0.50	2.60 ^{+0.15} _{-0.05}	3.00 ref.	1.00 ref.
OS6×15-2.6HH P1.0	OS	6.00 ±0.03	15.00 ±0.60	2.60 ^{+0.15} _{-0.05}	3.00 ref.	1.00 ref.
OS6×15-2.6HH P0.75	OS	6.00 ±0.03	15.00 ±0.25	2.60 ^{+0.15} _{-0.05}	3.00 ref.	0.75 ±0.03