

BMMS Series



BMMS Series is designed for low profile type with low RDC and ultra large current. Its molded magnetic shielded type is suitable for high-density mounting and ultra low buzz noise. Soldering conditions can be easily confirmed when mounting onto the board. This series also provides customers with embossed carrier type packaging for automatic mounting machine.

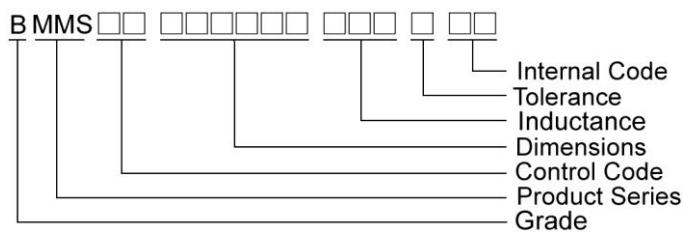
Features

- RoHS, Halogen Free and REACH Compliance
- Low resistance and high current rating
- Magnetic core made by high performance magnetic powder

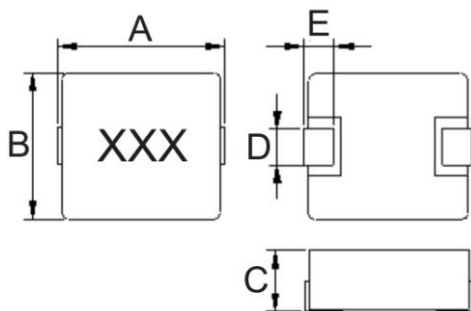
Applications

- Laptop and desktop applications
- High current power supplies
- PMIC
- DC/DC converters

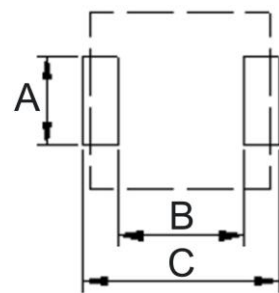
Product Identification



Shape and Dimensions



Recommended Pattern



Dimensions in mm

TYPE	A	B	C	D	E
BMMS00040412	4.45±0.25	4.06±0.25	1.2Max	2.0±0.3	0.76±0.3
BMMS00060630	6.95±0.35	6.60±0.20	3.0Max	3.0±0.3	1.60±0.3
BMMS00101040	11.5Max	10.0±0.30	4.0Max	3.0±0.5	2.00±0.5
BMMS00131360	14.2Max	12.6±0.20	6.0Max	3.2±0.3	2.30±0.3

Dimensions in mm

TYPE	A	B	C
BMMS00040412	2.5	2.5	5.2
BMMS00060630	3.5	3.7	8.4
BMMS00101040	4.1	5.4	13.6
BMMS00131360	5.5	8.0	14.5

Molding Power Inductors – BMMS Series

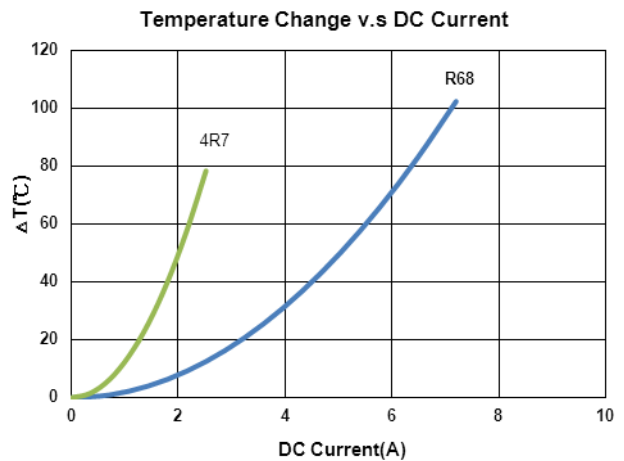
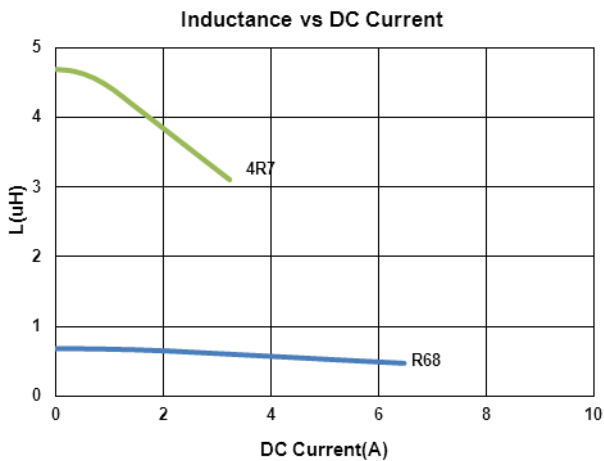
Electrical Characteristics

Part Number	Inductance (uH)	Tolerance (±%)	Test Frequency (kHz)	RDC(mΩ) Max(Typ.)	Isat (A)Typ.	Irms (A)Typ.	Marking
BMMS00040412R68MX2	0.68	20	100	36(32)	6	4.5	R68
BMMS000404124R7MX2	1.0	20	100	195(175)	2.8	1.8	4R7

Note: When ordering, please specify tolerance code. Tolerance: M=±20%

- Operating temperature range - 55°C ~ 125°C(Including self - temperature rise)
- Isat for Inductance drop 30% from its value without current
- Irms for a 40°C temperature rise from 25°C ambient with current
- Measure Equipment :
 L : WK 3260B or WK 6500P, 100kHz 0.25V
 RDC : CHEN HWA 502 or CHEN HWA 46502B
 Irms : CHROMA 1810

Test Instruments : WK3260B Impedance / Material Analyzer



Molding Power Inductors – BMMS Series

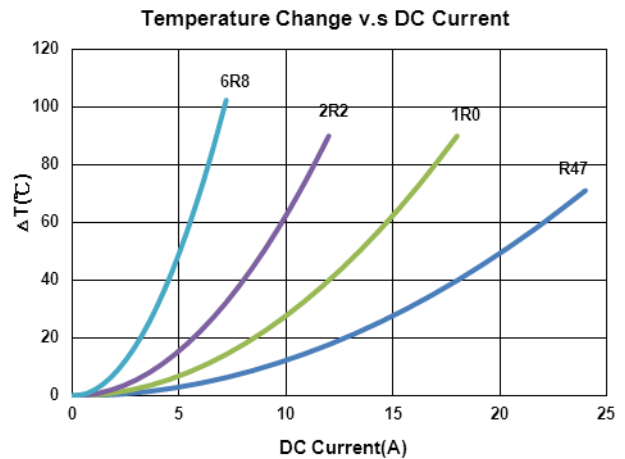
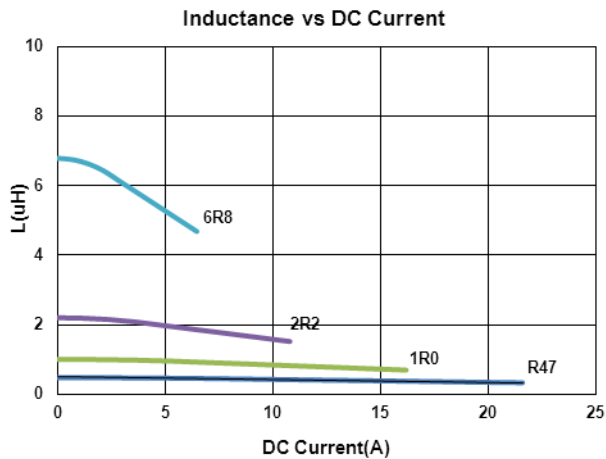
Electrical Characteristics

Part Number	Inductance (uH)	Tolerance (±%)	Test Frequency (kHz)	RDC(mΩ) Max(Typ.)	Isat (A)Typ.	Irms (A)Typ.	Marking
BMMS00060630R47MX2	0.47	20	100	4.1(3.5)	20	18	R47
BMMS000606301R0MX2	1.0	20	100	7.4(6.7)	15	12	1R0
BMMS000606302R2MX2	2.2	20	100	15(13.5)	10	8	2R2
BMMS000606306R8MX2	6.8	20	100	50(43.9)	6	4.5	6R8

Note: When ordering, please specify tolerance code. Tolerance: M=±20%

- Operating temperature range - 55°C ~ 125°C(Including self - temperature rise)
- Isat for Inductance drop 30% from its value without current
- I rms for a 40°C temperature rise from 25°C ambient with current
- Measure Equipment :
 L : WK 3260B or WK 6500P, 100kHz 0.25V
 RDC : CHEN HWA 502 or CHEN HWA 46502B
 I rms : CHROMA 1810

Test Instruments : WK3260B Impedance / Material Analyzer



Molding Power Inductors – BMMS Series

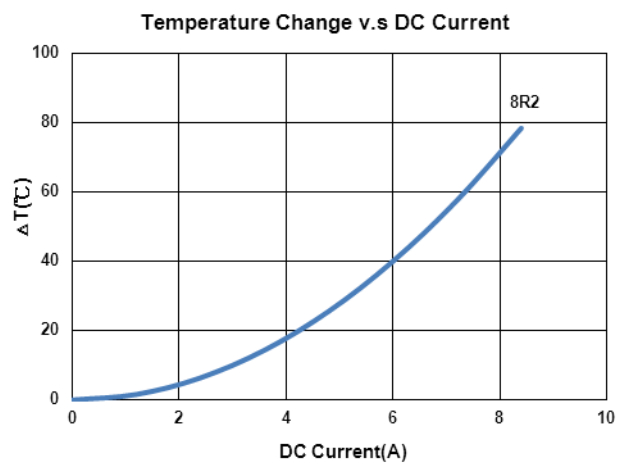
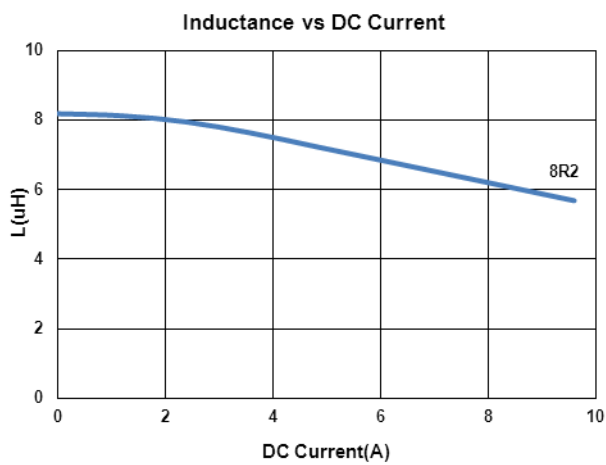
Electrical Characteristics

Part Number	Inductance (uH)	Tolerance (±%)	Test Frequency (kHz)	RDC(mΩ) Max(Typ.)	Isat (A)Typ.	Irms (A)Typ.	Marking
BMMS001010408R2MX2	8.2	20	100	27(25)	9	6	8R2

Note: When ordering, please specify tolerance code. Tolerance: M=±20%

- Operating temperature range - 55°C ~ 125°C(Including self - temperature rise)
- Isat for Inductance drop 30% from its value without current
- Irms for a 40°C temperature rise from 25°C ambient with current
- Measure Equipment :
 L : WK 3260B or WK 6500P, 100kHz 0.25V
 RDC : CHEN HWA 502 or CHEN HWA 46502B
 Irms : CHROMA 1810

Test Instruments : WK3260B Impedance / Material Analyzer



Molding Power Inductors – BMMS Series

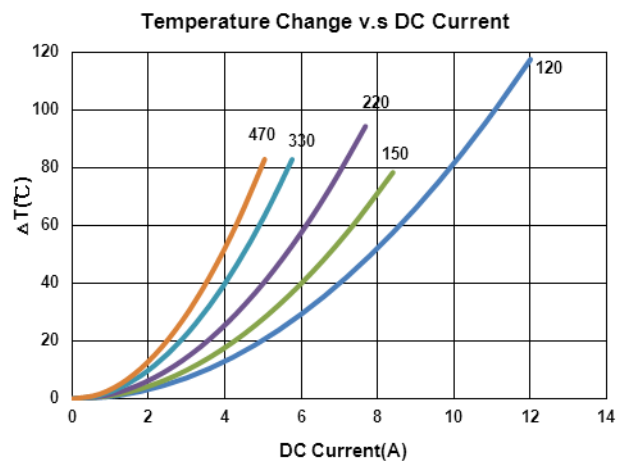
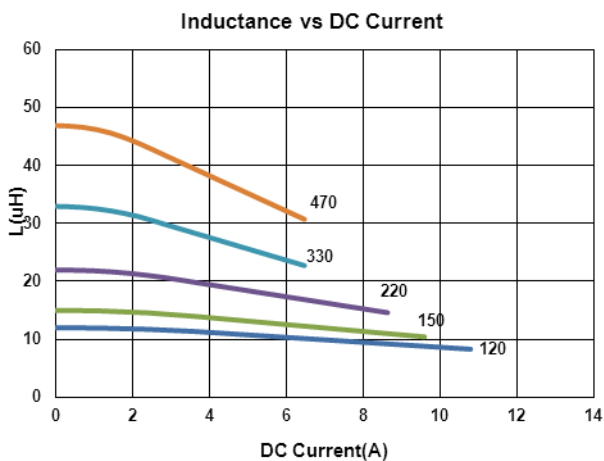
Electrical Characteristics

Part Number	Inductance (uH)	Tolerance (±%)	Test Frequency (kHz)	RDC(mΩ) Max(Typ.)	Isat (A)Typ.	Irms (A)Typ.	Marking
BMMS00131360120MX2	12	20	100	23(20)	10	7	120
BMMS00131360150MX2	15	20	100	29(25)	9	6	150
BMMS00131360220MX2	22	20	100	39.5(34)	7.5	5	220
BMMS00131360330MX2	33	20	100	75(65)	6	4	330
BMMS00131360470MX2	47	20	100	90(80)	5.5	3.5	470

Note: When ordering, please specify tolerance code. Tolerance: M=±20%

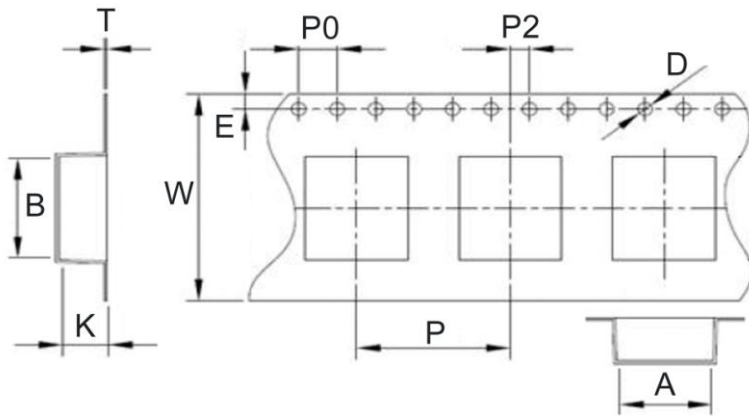
- Operating temperature range - 55°C ~ 125°C(Including self - temperature rise)
- Isat for Inductance drop 30% from its value without current
- I rms for a 40°C temperature rise from 25°C ambient with current
- Measure Equipment :
 L : WK 3260B or WK 6500P, 100kHz 0.25V
 RDC : CHEN HWA 502 or CHEN HWA 46502B
 I rms : CHROMA 1810

Test Instruments : WK3260B Impedance / Material Analyzer

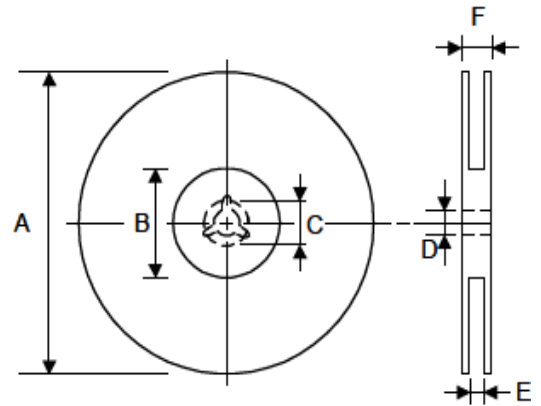


Packaging Specifications

Tape Dimensions



Reel Dimensions



Dimensions in mm

TYPE	Tape Dimensions										Reel Dimensions						Quantity PCS / REEL
	A	B	K	T	D	E	W	P	P0	P2	A	B	C	D	E	F	
BMMS00040412	4.5	4.9	1.7	0.35	1.5	1.75	12	8	4	2	330	100	21.5	13	12.4	17.4	2000
BMMS00060630	6.9	7.6	3.4	0.35	1.5	1.75	16	12	4	2	330	100	21.5	13	16.4	21.4	1000
BMMS00101040	10.4	11.5	4.5	0.35	1.5	1.75	24	16	4	2	330	100	21.5	13	24.4	29.2	500
BMMS00131360	13.2	14.4	6.3	0.40	1.5	1.75	24	16	4	2	330	100	21.5	13	24.4	29.2	250