

Power Inductor AP3Y Series

**Automotive
AEC-Q200**

RoHS Compliant
Halogen Free
REACH Compliant



- Shield
- Wire Wound
- Metal
- Ultra High Current

Part Numbering

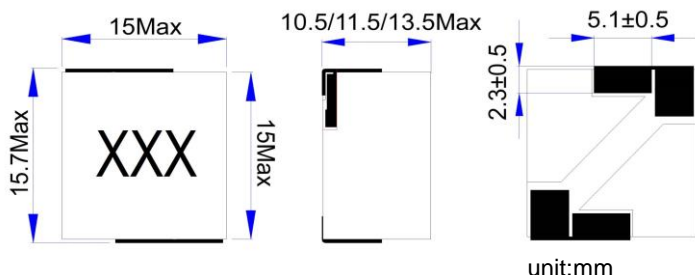
A	P3Y	00	151510	100	M	00
Grade	Series Name	Control Code	Dimensions Code (mm)	Inductance (uH)	Tolerance	Internal Code
			151510 15x15.7x10.5	8R2 8.2	M ±20%	
			151511 15x15.7x11.5	100 10		
			151513 15x15.7x13.5	330 33		
			282816 29.5x29.5x16			

Power Inductor AP3Y Series

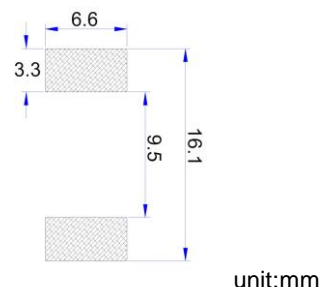
**Automotive
AEC-Q200**

AP3Y001515xx Type

■ Dimensions



■ Recommended Land Pattern



■ Electrical Characteristics

Part No.	Inductance (uH)	Test Freq.	RDC (mΩ)Max	Isat (A)Typ.	Irms (A)Typ.	Tolerance (±%)	Marking
AP3Y001515101R0M00	1	100kHz,1V	1.8	100	44	20	1R0
AP3Y001515101R5M00	1.5	100kHz,1V	2.1	95	38	20	1R5
AP3Y001515102R2M00	2.2	100kHz,1V	2.7	70	36	20	2R2
AP3Y001515103R3M00	3.3	100kHz,1V	3.5	50	32	20	3R3
AP3Y001515104R7M00	4.7	100kHz,1V	5.2	45	28	20	4R7
AP3Y001515106R8M00	6.8	100kHz,1V	6	38	26	20	6R8
AP3Y001515108R2M00	8.2	100kHz,1V	7.2	34	24	20	8R2
AP3Y00151510100M00	10	100kHz,1V	8.5	32	21	20	100
AP3Y00151510150M00	15	100kHz,1V	11.5	30	18	20	150
AP3Y00151510220M00	22	100kHz,1V	16.8	24	14	20	220
AP3Y00151511270M00	27	100kHz,1V	26.5	23	11	20	270
AP3Y00151511330M00	33	100kHz,1V	28	19	10	20	330
AP3Y00151513470M00	47	100kHz,1V	38	17	9	20	470
AP3Y00151513680M00	68	100kHz,1V	61	16	7	20	680

Note: When ordering, please specify tolerance code. Tolerance: M=±20%

1. Operating temperature range - 40°C ~ 125°C(Including self - temperature rise)
2. Isat for Inductance drop 30% from its value without current
3. I rms for a 40°C temperature rise from 25°C ambient with current

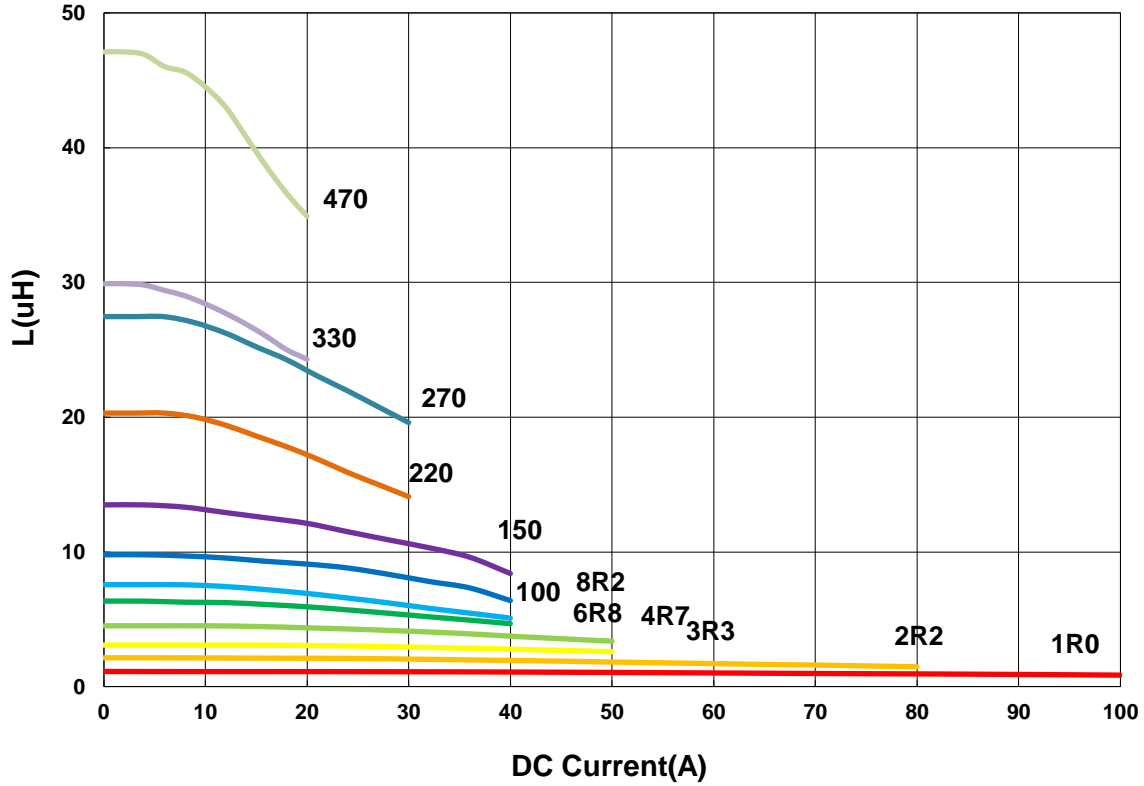
Power Inductor AP3Y Series

**Automotive
AEC-Q200**

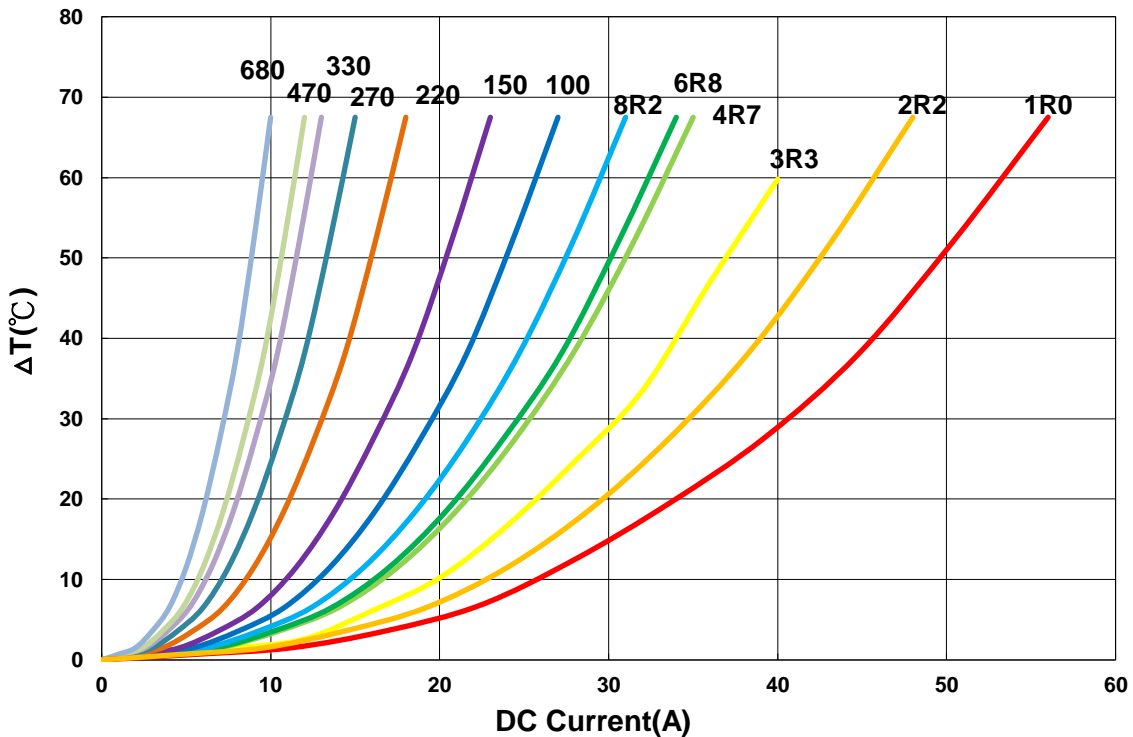
AP3Y001515xx Type

Characteristics Graph

Inductance vs DC Current



Temperature Change v.s DC Current



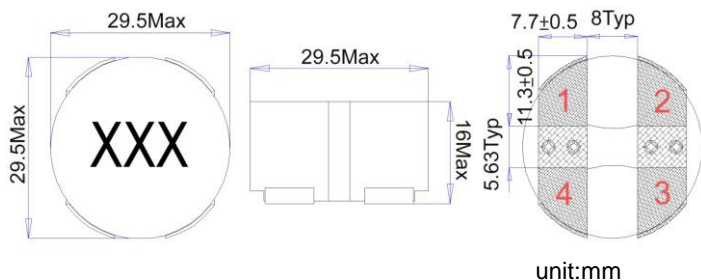
Please be sure to request approval specifications that provide further details of the products. Kindly note that the content of these specifications are subject to change or may be discontinued without prior notice. This product may not be designed/used in medical or high risk applications without Chilisin approval. Please contact our sales department before ordering.

Power Inductor AP3Y Series

**Automotive
AEC-Q200**

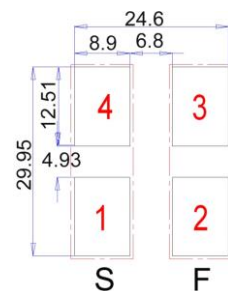
AP3Y00282816 Type

■ Dimensions



unit:mm

■ Recommended Land Pattern



unit:mm

■ Electrical Characteristics

Part No.	Inductance (uH)	Test Freq.	RDC (mΩ)Max	Isat (A)Typ.	Irms (A)Typ.	Tolerance (±%)	Marking
AP3Y002828168R2M00	8.2	100kHz,1V	4	85	40	20	8R2
AP3Y00282816100M00	10	100kHz,1V	5.5	62	37	20	100
AP3Y00282816150M00	15	100kHz,1V	7.5	55	32	20	150
AP3Y00282816220M00	22	100kHz,1V	11.5	46	25	20	220
AP3Y00282816330M00	33	100kHz,1V	16	44	20	20	330

Note: When ordering, please specify tolerance code. Tolerance: M=±20%

1. Operating temperature range - 40°C ~ 125°C(Including self - temperature rise)
2. Isat for Inductance drop 30% from its value without current
3. I rms for a 40°C temperature rise from 25°C ambient with current

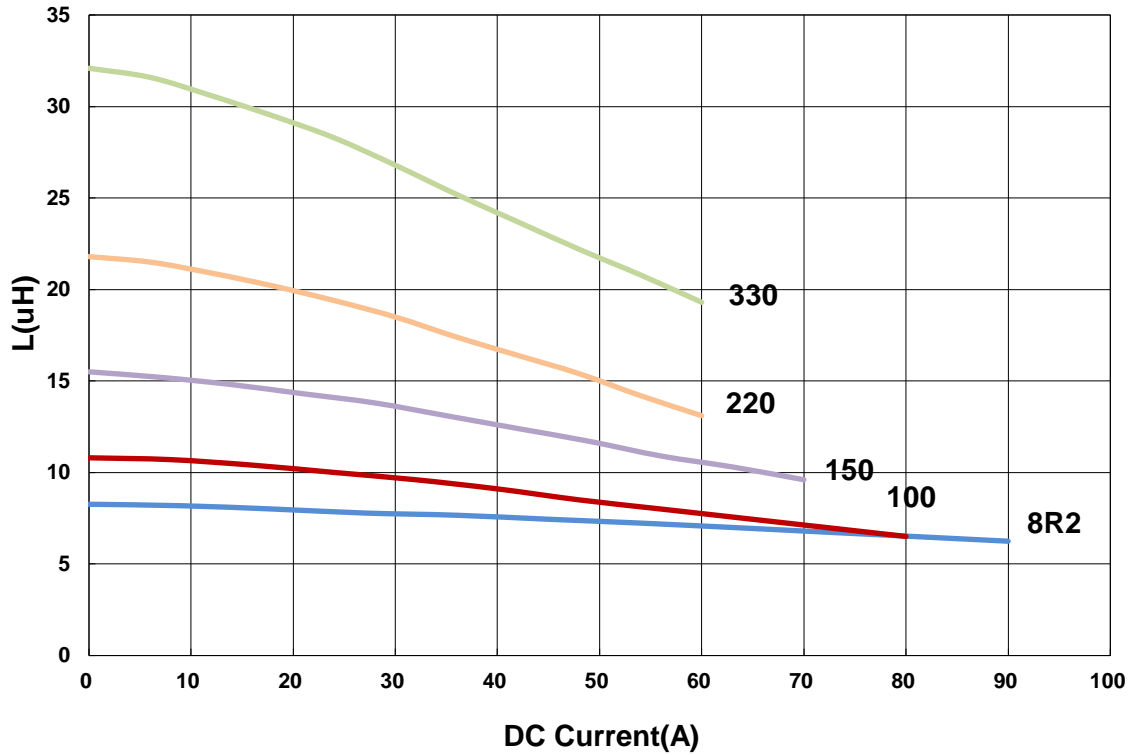
Power Inductor AP3Y Series

**Automotive
AEC-Q200**

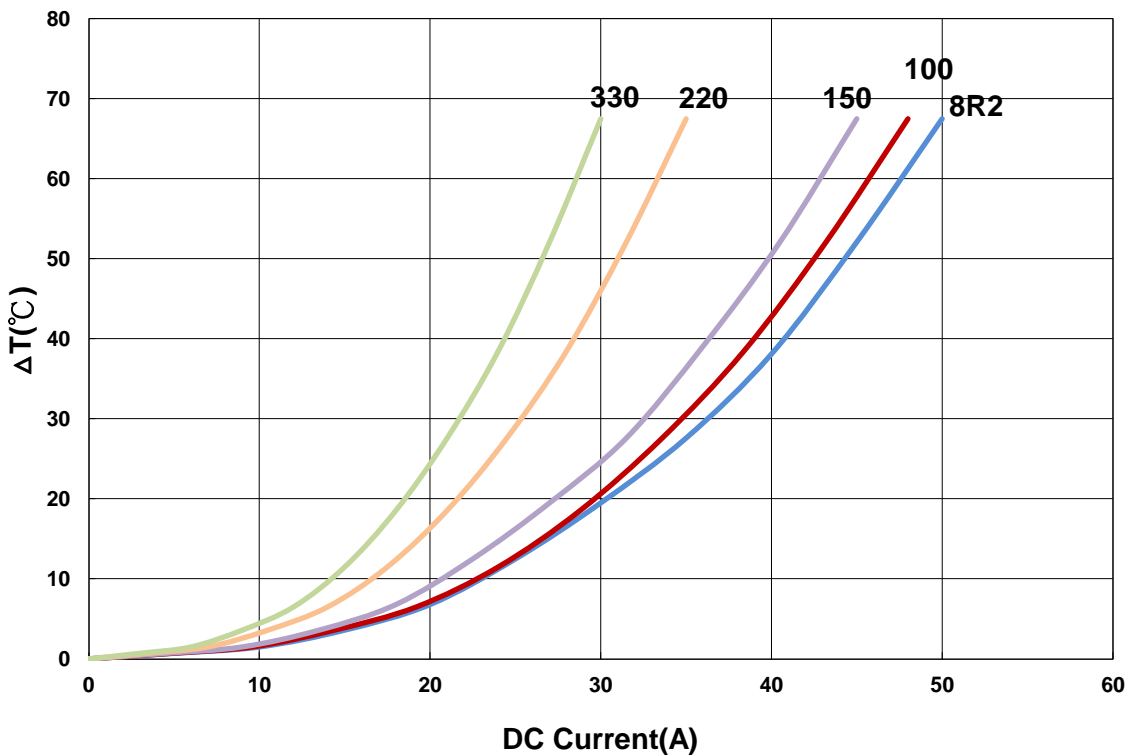
AP3Y00282816 Type

Characteristics Graph

Inductance vs DC Current



Temperature Change v.s DC Current

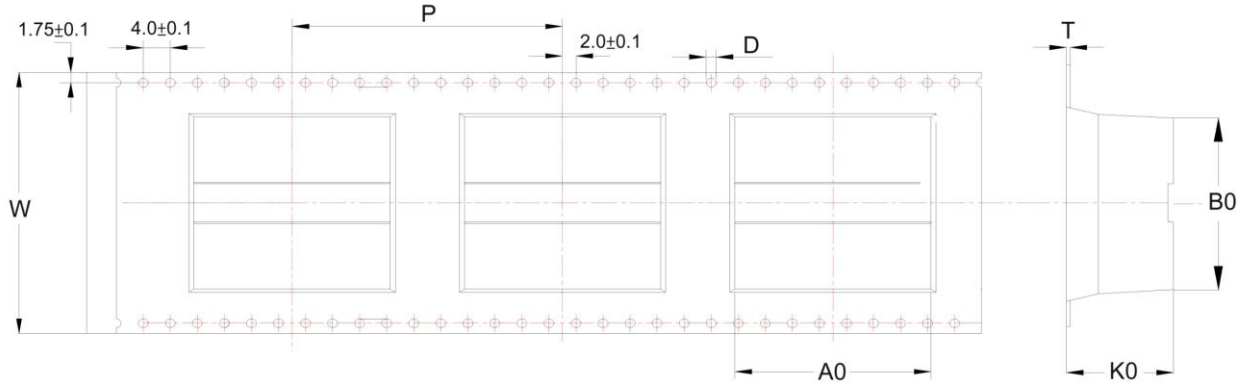


Power Inductor AP3Y Series

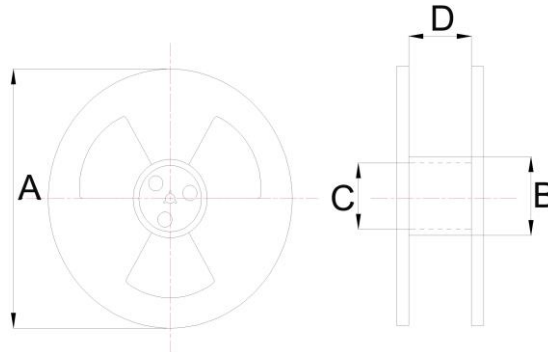
**Automotive
AEC-Q200**

■ Packaging

Tape Dimensions



Reel Dimensions



Dimensions in mm

TYPE	Tape Dimensions							Reel Dimensions				Quantity PCS / REEL
	A0	B0	K0	D	W	T	P	A	B	C	D	
AP3Y00151510	15.7	15.1	10.7	1.5	24	0.5	24	330	100	13.5	24.5	150
AP3Y00151511	15.7	15.1	11.7	1.5	24	0.5	24	330	100	13.5	24.5	100
AP3Y00151513	15.7	15.1	13.7	1.5	24	0.5	24	330	100	13.5	24.5	100
AP3Y00282816	29.2	29.2	15	1.5	44	0.5	40	330	100	13.5	44.5	30