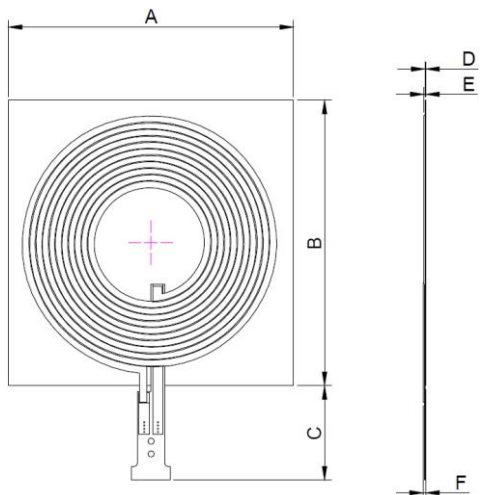




## Shapes and Dimensions

### BTWW00675003RXA008



Dimensions in mm

TYPE	A	B	C	D	E	F
BTWW00675003RXA008	50±0.5	50±0.5	17 Ref	0.12±0.05	0.3±0.05	0.47±0.05

## Electrical Characteristics

Part Number	Frequency (kHz)	Inductance (uH)	Tolerance (±%)	Q	DC Resistance (mΩ)	Operating	Storage
						temperature	
BTWW00332265RXA001	100	26.6	10	15 Ref	1010 Max	-25°C~70°C	-40°C~85°C
BTWW00404007RXA003	100	7.5	10	-	150±15%	-20°C~85°C	-20°C~85°C
BTWW00675003RXA008	100	8.0	10	23.7±15%	155±15%	-20°C~85°C	-20°C~85°C