

Digital Transistors (Built-in Resistors)

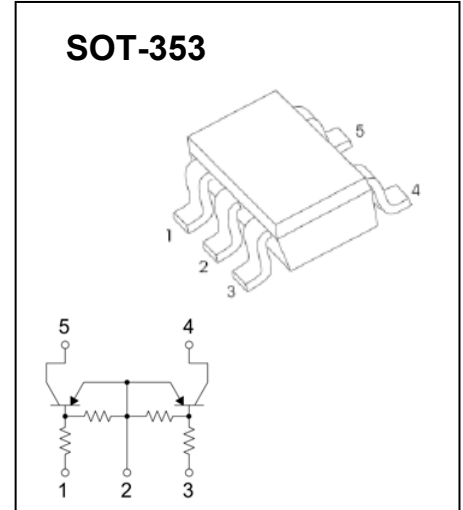
UMA11N Dual Digital Transistors (PNP+PNP)

FEATURES

- Two DTA143Z chips in a package
- Mounting cost and area can be cut in half

Marking: A11

Equivalent circuit



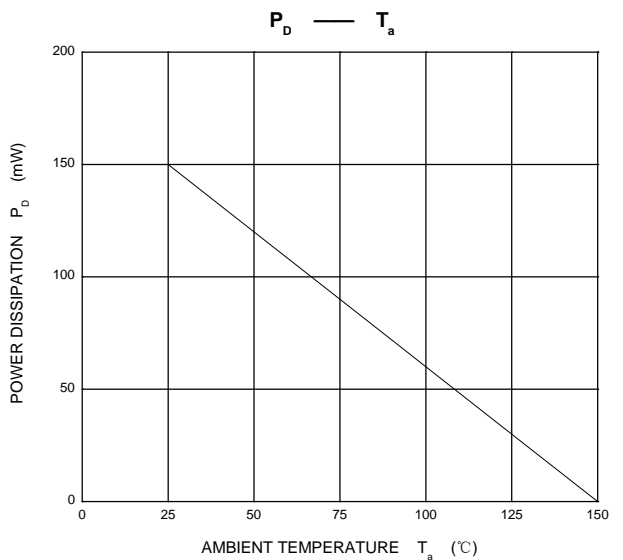
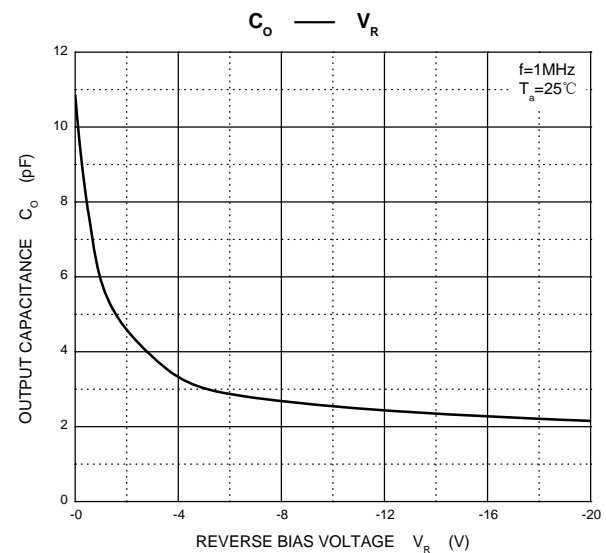
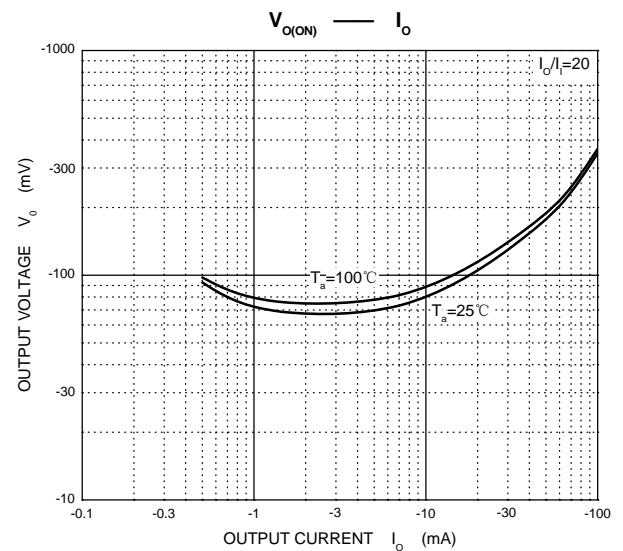
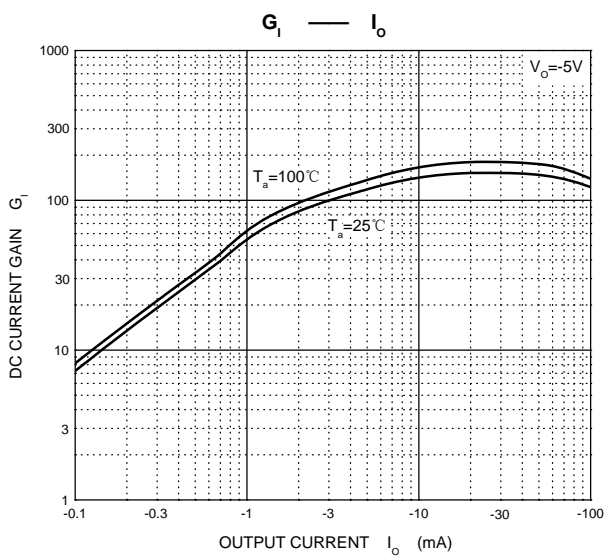
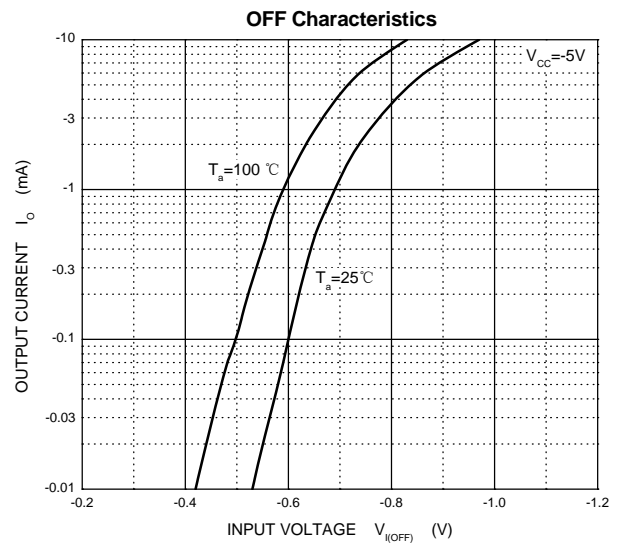
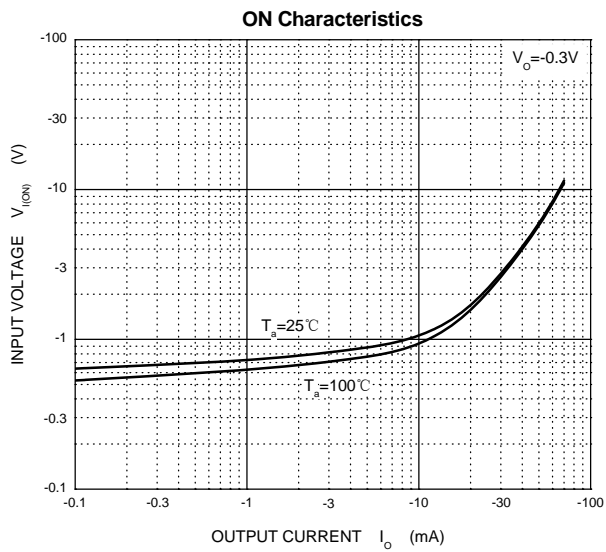
Absolute maximum ratings ($T_a=25^\circ\text{C}$)

Symbol	Parameter	Value	Units
V_{CC}	Supply Voltage	-50	V
$I_{C(MAX)}$	Output Current	-100	mA
V_i	Input Voltage	-30 to +5	V
P_D	Power Dissipation	150	mW
T_J, T_{stg}	Operation Junction and Storage Temperature Range	-55~+150	$^\circ\text{C}$

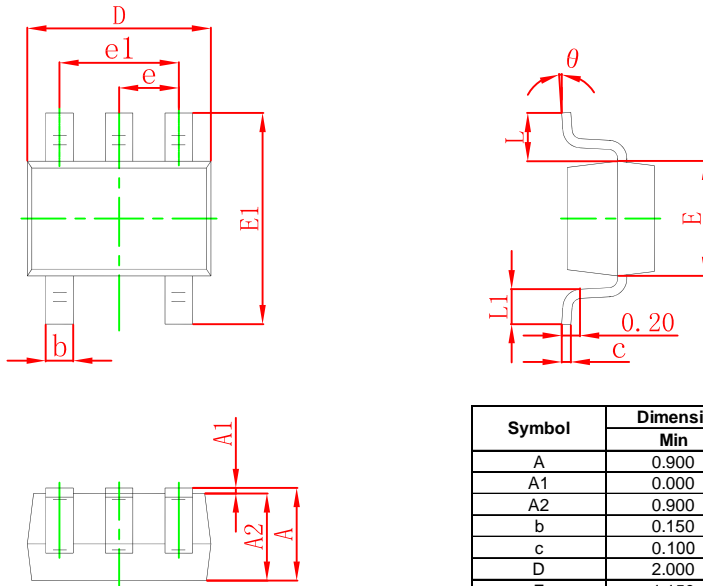
Electrical Characteristics ($T_a=25^\circ\text{C}$)

Parameter	Symbol	Test conditions	Min	Typ	Max	Unit
Input turn-on voltage	$V_{i(on)}$	$V_O=-0.3V, I_O=-5mA$			-1.3	V
Input cut-off voltage	$V_{i(off)}$	$V_{CC}=-5V, I_O=-100\mu A$	-0.5			V
Output voltage	$V_{O(on)}$	$I_O=-5mA, I_i=-0.25 mA$			-0.3	V
Input cut-off current	I_i	$V_i=-5V$			-1.8	mA
Output cut-off current	$I_{O(off)}$	$V_{CC}=-50V, V_i=0$			-0.5	μA
DC current gain	G_i	$V_O=-5V, I_O=-10mA$	80			
Transition frequency	f_T	$V_O=-10V, I_O=-5mA, f=100MHz$		250		MHz
Input resistance	R_1		3.29		6.11	K Ω
Resistance ratio	R_2/R_1		8		12	

Typical Characteristics

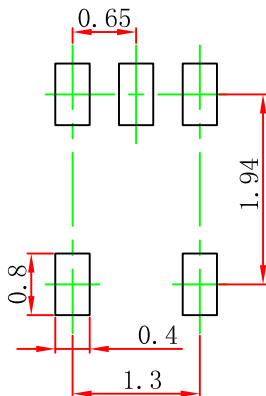


SOT-353 Package Outline Dimensions



Symbol	Dimensions In Millimeters		Dimensions In Inches	
	Min	Max	Min	Max
A	0.900	1.100	0.035	0.043
A1	0.000	0.100	0.000	0.004
A2	0.900	1.000	0.035	0.039
b	0.150	0.350	0.006	0.014
c	0.100	0.150	0.004	0.006
D	2.000	2.200	0.079	0.087
E	1.150	1.350	0.045	0.053
E1	2.150	2.400	0.085	0.094
e	0.650 TYP		0.026 TYP	
e1	1.200	1.400	0.047	0.055
L	0.525 REF		0.021 REF	
L1	0.260	0.460	0.010	0.018
theta	0°	8°	0°	8°

SOT-353 Suggested Pad Layout



Note:

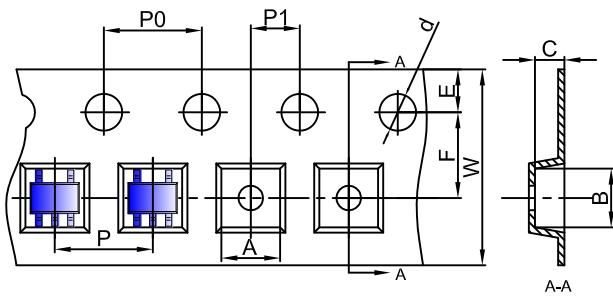
1. Controlling dimension: in millimeters.
2. General tolerance: ± 0.05 mm.
3. The pad layout is for reference purposes only.

NOTICE

JSCJ reserves the right to make modifications, enhancements, improvements, corrections or other changes without further notice to any product herein. JSCJ does not assume any liability arising out of the application or use of any product described herein.

SOT-353 Tape and Reel

SOT-353 Embossed Carrier Tape

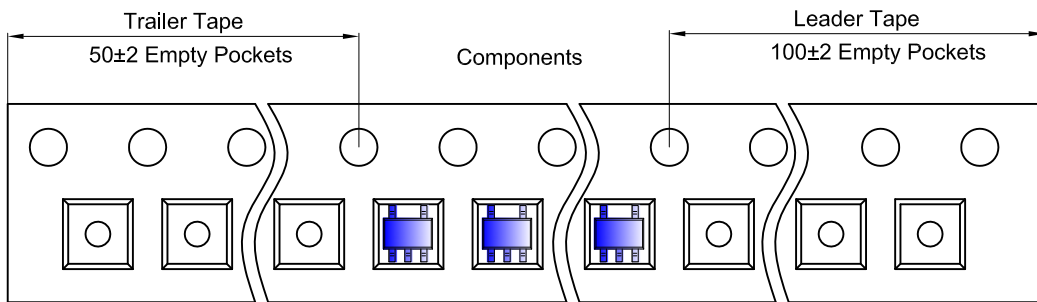


Packaging Description:

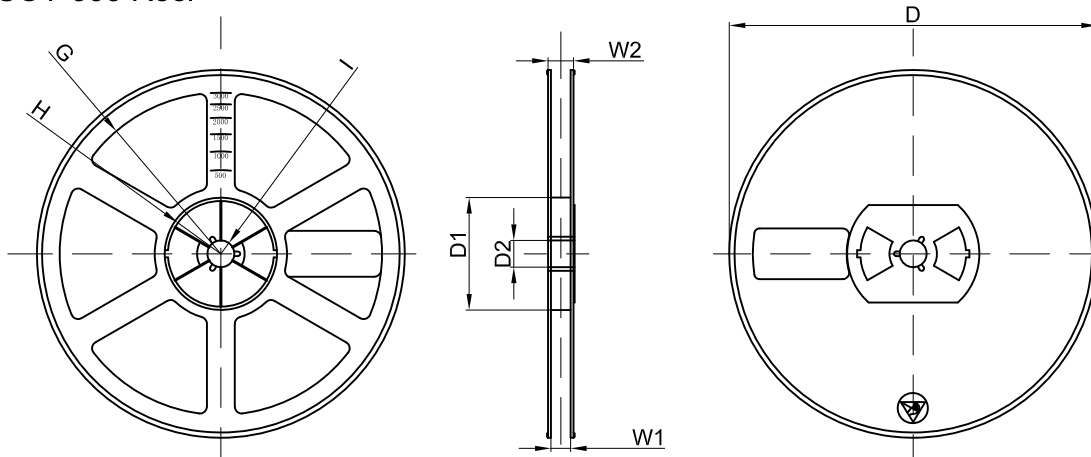
SOT-353 parts are shipped in tape. The carrier tape is made from a dissipative (carbon filled) polycarbonate resin. The cover tape is a multilayer film (Heat Activated Adhesive in nature) primarily composed of polyester film, adhesive layer, sealant, and anti-static sprayed agent. These reeled parts in standard option are shipped with 3,000 units per 7" or 17.8cm diameter reel. The reels are clear in color and is made of polystyrene plastic (anti-static coated).

Dimensions are in millimeter										
Pkg type	A	B	C	d	E	F	P0	P	P1	W
SOT-353	2.25	2.55	1.20	Ø1.50	1.75	3.50	4.00	4.00	2.00	8.00

SOT-353 Tape Leader and Trailer



SOT-353 Reel



Dimensions are in millimeter								
Reel Option	D	D1	D2	G	H	I	W1	W2
7"Dia	Ø178.00	54.40	13.00	R78.00	R25.60	R6.50	9.50	12.30

REEL	Reel Size	Box	Box Size(mm)	Carton	Carton Size(mm)	G.W.(kg)
3000 pcs	7 inch	45,000 pcs	203×203×195	180,000 pcs	438×438×220	