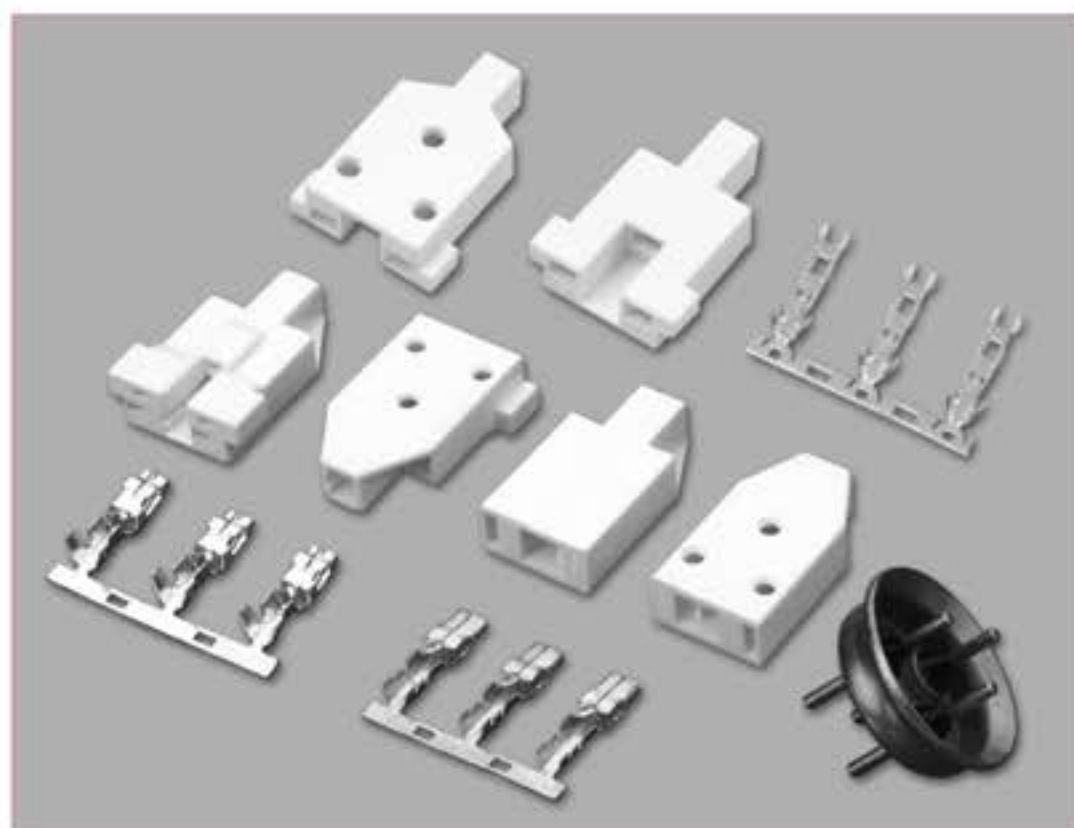


■ 技术参数 SPECIFICATIONS

- 线数 (Poles) : 3
- 适用线规 (Applicable wires) : AWG20#~16#
- 温度范围 (Temperature range) : -25℃~105℃
- 额定电压 (Voltage rating) : 300V.Ac/Dc
- 额定电流 (Current rating) : 20A max
- 接触电阻 (Contact resistance) : $\leq 0.01\Omega$
- 绝缘电阻 (Insulation resistance) : $\geq 1000M\Omega$
- 耐压 (Withstand voltage) : 2000V.Ac/1min
- 材料 (Material) :
 - 壳体 (Housing) : PBT UL94V-0
 - 尼龙 (PA66) UL94V-2(0)
 - 端子 (Terminal) : 磷青铜 (Phos.bronze Tin/plated)



端子 TERMINAL(SCS)

型号 Type	适用线规 Applicable wires		电线外径 O.D of wire ins mm	数量 Quantity
	mm ²	AWG#		
HX-SCS-PT	0.5~1.25	20~16	1.9~3.4	2500PCS/盒
HX-SCS-BT	0.5~1.25	20~16	1.9~3.4	4000PCS/盒
HX-SCS-RT	0.5~1.25	20~16	1.9~3.4	2000PCS/盒

