

## 技术参数 SPECIFICATIONS

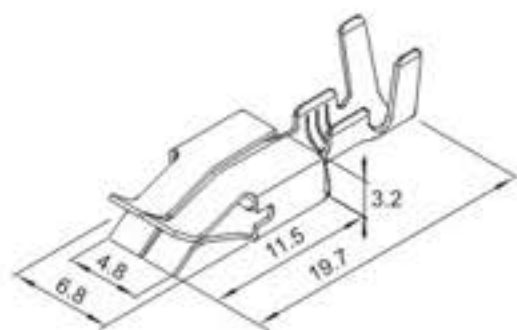
- 适用线规 (Applicable wires) : AWG24#~12#
- 温度范围 (Temperature range) : -20℃~85℃
- 额定电压 (Voltage rating) : 300V.Ac/Dc
- 额定电流 (Current rating) : 18A max
- 接触电阻 (Contact resistance) :  $\leq 0.01\Omega$
- 绝缘电阻 (Insulation resistance) :  $\geq 1000M\Omega$
- 耐压 (Withstand voltage) : 1500V.Ac/1min
- 材料 (Material) :
  - 壳体 (Housing) : 尼龙 (PA66) UL94V-2(0)
  - 端子 (Terminal) : 磷青铜 (Phos.bronze Tin/plated)
  - 黄铜 (Brass Tin/plated)

### 端子 TERMINAL

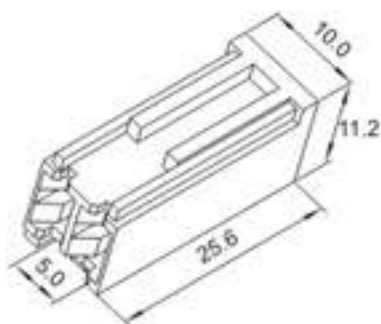
型号 Type	适用线规 Applicable wires		材料 Material	材料厚度 Thickness mm	数量 Quantity	
	mm <sup>2</sup>	AWG#				
HX50008-01PT	0.22~0.5	24~20	磷青铜 Phos.bronze	0.3	2000PCS/盘	
HX50008-21PT	0.75~2.0	18~14				
HX630N-21T	STO-21-250N	0.3~0.75	22~18	黄铜 Brass	0.4	7000PCS/卷
HX630N-41T	STO-61-250N	0.75~2.0	18~14	Brass	0.4	6000PCS/卷

型号 Type	适用线规 Applicable wires		材料 Material	材料厚度 Thickness mm	数量 Quantity	
	mm <sup>2</sup>	AWG#				
HX6.3BS-21PT	1217378-2	0.3~0.75	黄铜 Brass	0.3		
HX6.3BS-41PT	1217095-2	1.25~3.5				16~12
HX63092-PT		0.52~2.1				20~14

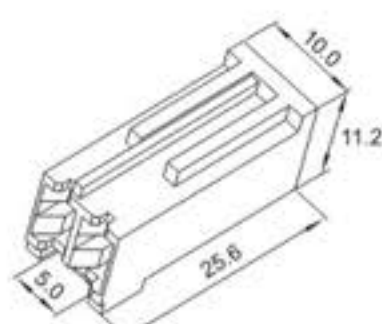
HX50008-PT



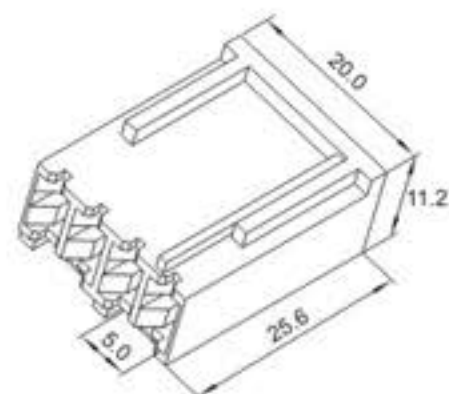
HX50007-2P (5-928247-2)



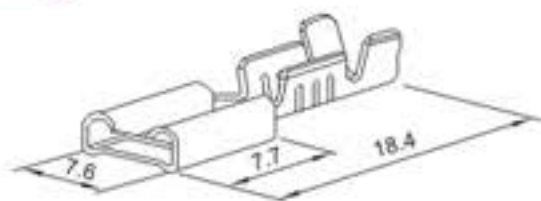
HX50007-2R (8-928247-2)



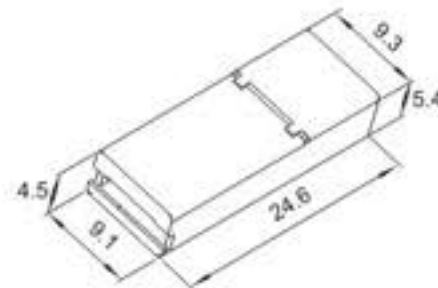
HX50007-4P (4-928247-4)



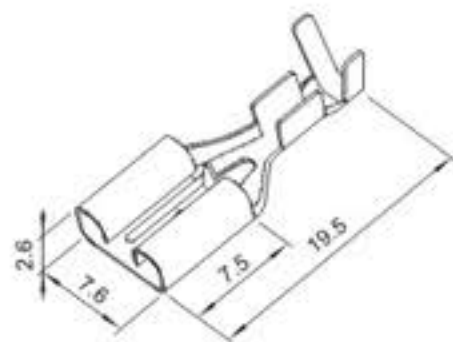
HX630N-\*T



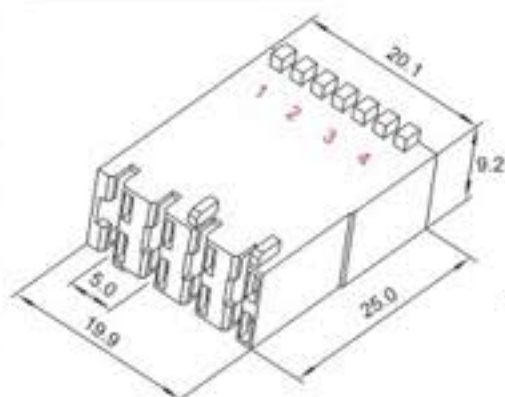
HX630S-250ZK (6-735075-1)



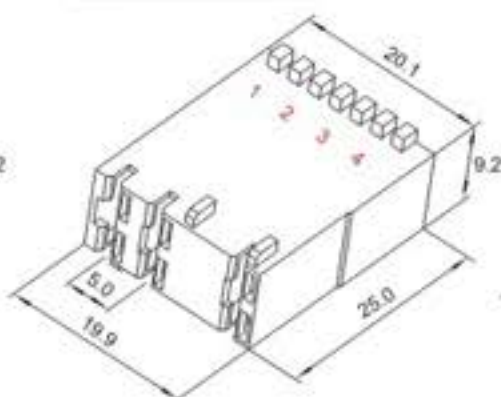
HX6.3BS-\*T (1217378-2、1217095-2)



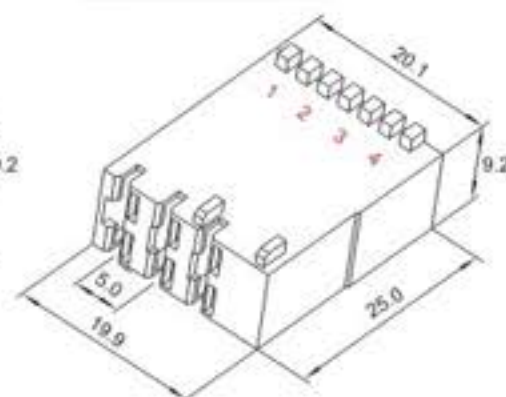
HX50006-4Y (521206-1)



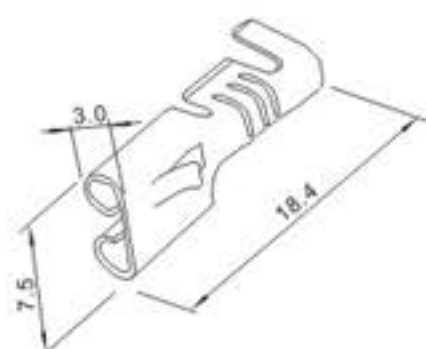
HX50006-4Y (堵3)



HX50006-4Y (堵4)



HX63092-PT (160928-2) DJ623-E6.3A-B



HX63091-6P (925276-0、880297-1) DJ7065-6.3-21

