

HSF

NOTES:

1. Electrical Performance:
 - 1-1. Current Rating: 0.5 A at AC 100V.
 - 1-2. Withstand Voltage: 250V AC.
 - 1-3. Contact Resistance: See Table. \triangle
 - 1-4. Insulation Resistance: 1000M Ω Min.
 - 1-5. Operation Temperature: -55°C to +85°C
2. Material:
 - 2-1. Housing: LCP; Black/Natural; UL94V-0. \triangle
 - 2-2. Contact: Phosphor Bronze, T=0.20mm.
 - 2-3. Fitting Nail: Brass, T=0.25mm.
 - 2-4. Metal Cap: Stainless Steel, T=0.20mm.
3. Finish:
 - 3-1. Contact: Gold Plating On Contact Area; Matte Tin Plating On Solder Tails, Over Ni.
 - 3-2. Fitting Nail: Sn Plating Over Ni Under Plating

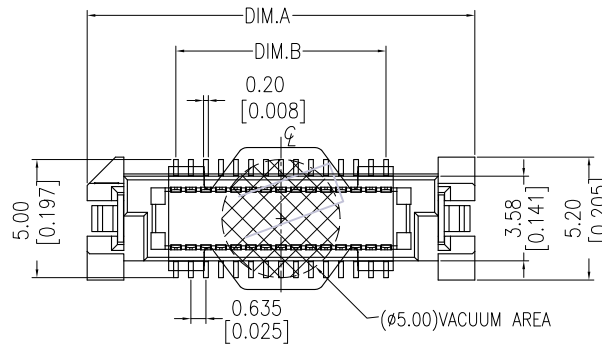
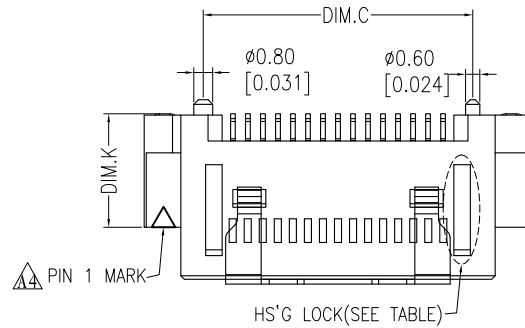
Flatness: <80 Pins The "M" Is 0.12mm MAX
 ≥80 Pins The "M" Is 0.15mm MAX

Ordering Information

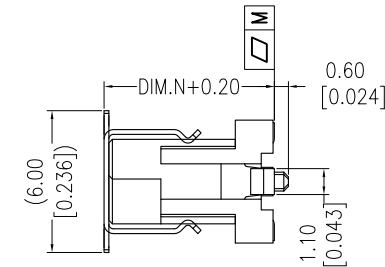
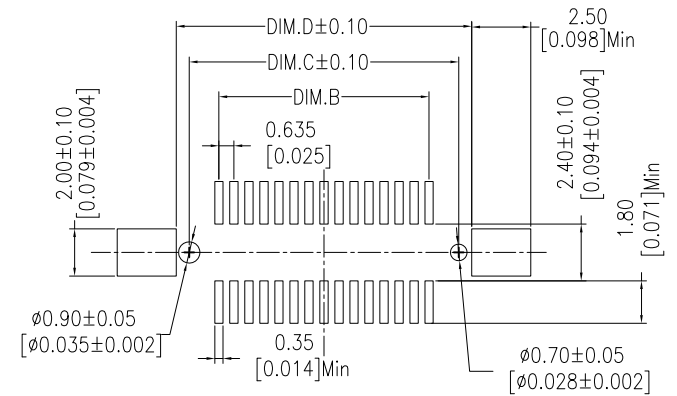
3660-PXXX - XXX XX R 01

No. of Pins Housing High Contact Plating R=Tape&Reel+CAP

G1=3u"Gold
 G2=5u"Gold
 G2=10u"Gold
 S1=3u"Gold/Tin
 S2=5u"Gold/Tin
 S3=10u"Gold/Tin



Recommended P. C. B Layout (Top Side)
 (PCB BOARD TOLERANCE ± 0.05)



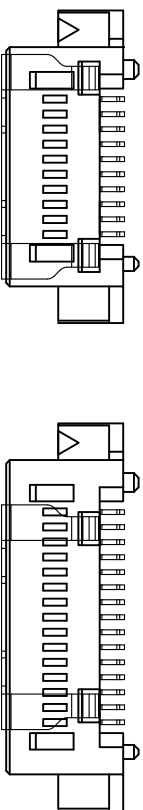
ASS'Y HIGH (H)	Before Test	After Test
6.0 ~ 7.0	≤ 40m Ω	≤ 60m Ω
8.0 ~ 10.0	≤ 50m Ω	≤ 70m Ω
11.0 ~ 13.0	≤ 60m Ω	≤ 80m Ω
14.0 ~ 16.0	≤ 70m Ω	≤ 90m Ω

PART NO.	DIM.N	DIM.K
3660-PXXX-050XXR01	5.00	2.80
3660-PXXX-060XXR01	6.00	3.80
3660-PXXX-070XXR01	7.00	4.80
3660-PXXX-080XXR01	8.00	5.80
3660-PXXX-090XXR01	9.00	6.80

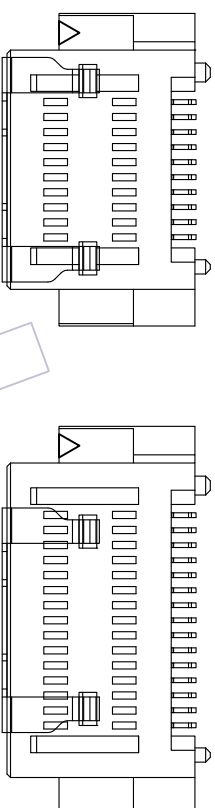
ASS'Y HIGH(H)	PLUG(H1)	SOCKET(H2)
6.00	5.00	4.00
7.00	6.00	
8.00	7.00	
9.00	8.00	
10.00	9.00	10.00
12.00	5.00	
13.00	6.00	
14.00	7.00	
15.00	8.00	
16.00	9.00	

REV	DATE	MODIFICATION DESCRIPTION	CHANGE	OPERATION	DRAW	DATE	SCALE	FIT	PART NO.
A4	2014/05/07	Modify	\triangle	OPERATION	DRAW	2014/05/07	UNIT	mm	3660-PXXX-XXXXXR01
A3	2014/03/07	Modify The Contact Resistance	\triangle	X.X ±0.40	Allen		inch		
A2	2014/02/27	Modify The Housing Material	\triangle	X.XX ±0.25	CHECK	DATE	SIZE	A4	TITLE: 0.635mm BTB "M" TYPE MALE 180° SMT \triangle
A0	2012/11/20	NEW	—	X.XXX ±0.15	APPROVE	DATE	SHEET	1/2	
				Angle ± 3'			PROJ.	ϕ \leftarrow	Customer NO.
				DIM TOL					

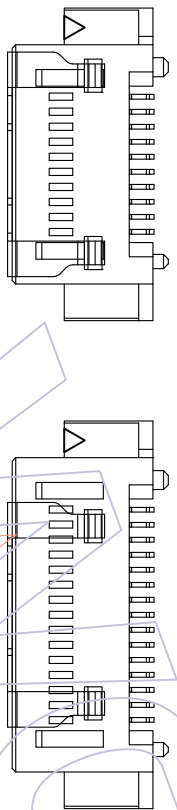
3660-PXXX-050XXR01



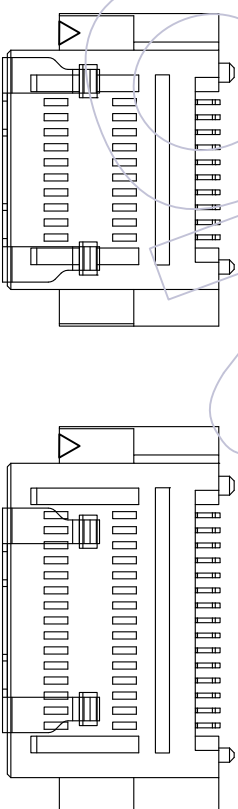
3660-PXXX-080XXR01



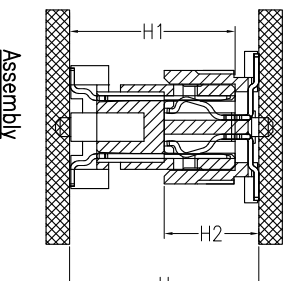
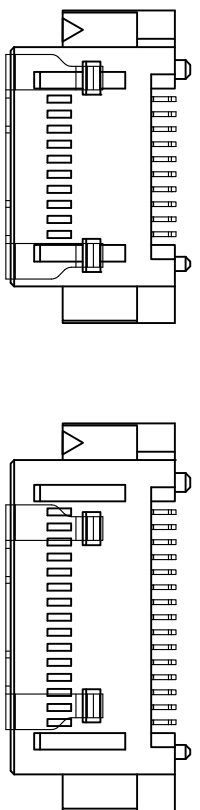
3660-PXXX-060XXR01



3660-PXXX-090XXR01



3660-PXXX-070XXR01



NO	53.77	52.67	50.165	57.67	160
	47.42	46.32	43.815	51.32	140
	41.07	39.97	37.465	44.97	120
	34.72	33.62	31.115	38.62	100
	31.55	30.45	27.940	35.45	90
	28.37	27.27	24.765	32.27	80
	25.20	24.10	21.590	29.10	70
	22.02	20.92	18.415	25.92	60
	18.85	17.75	15.240	22.75	50
	15.67	14.57	12.065	19.57	40
	12.50	11.40	8.890	16.40	30
	9.32	8.22	5.715	13.22	20
HS'G LOCK	DIM.D	DIM.C	DIM.B	DIM.A	PIN NO

A4	2014/05/07	Modify		OPERATION	DRAW	DATE	SCALE	FIT	PART NO.	TITLE: 0.635mm BTB "M" TYPE MALE 180° SMT
A3	2014/03/07	Modify The Contact Resistance		XX	Allen	2014/05/07	UNIT	mm	3660-PXXX-XXXXXR01	
A2	2014/02/27	Modify The Housing Material		XXX	CHECK	DATE	SIZE	inch	A4	
A0	2012/11/20	NEW		XXXX	APPROVE	DATE	SHEET	2/2	Customer NO.	
REV	DATE	MODIFICATION DESCRIPTION	CHANGE	Angle DIM	APPROVE	DATE	PROJ.			

1	2	3	4	5	6	7	8	9	10
---	---	---	---	---	---	---	---	---	----



WCON-Dongguan
 Tel: +86 769 85358920
 Fax: +86 769 85358915
 E-mail: sales@wcon.com

WCON-Kunshan
 Tel: +86 512 57468408
 Fax: +86 512 57468468
 E-mail: sales@wcon.com