

HSF

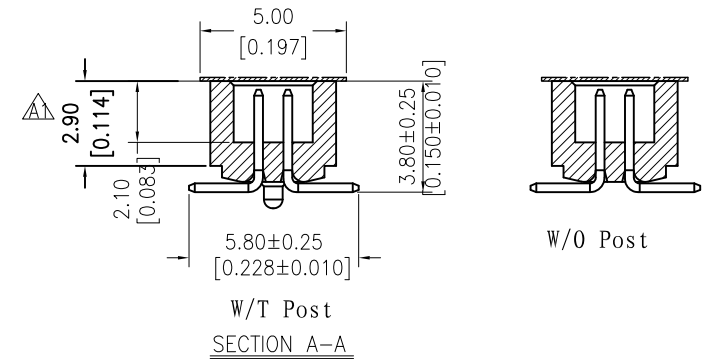
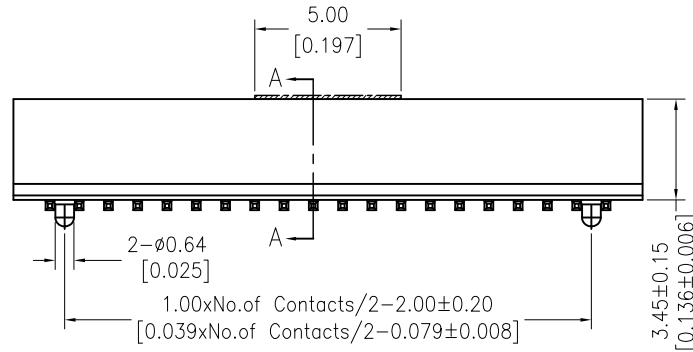
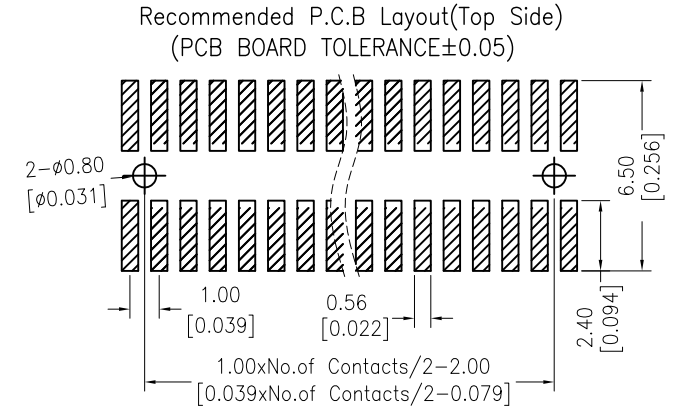
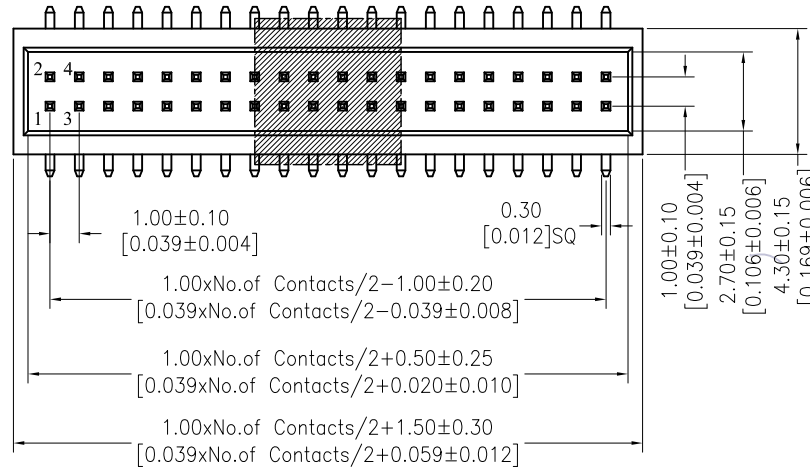
NOTES:
 Current Rating:1AMP
 Contact Resistance:30mΩ max
 Withstand Voltage:500V AC/DC
 Insulation Resistance:1000MΩ min
 Operation Temperature:-40℃ to +105℃

Contact Material:Brass
 Contact plating:Au Over Ni
 Insulator Material:PA9T+30%GF(UL94V-0)

Ordering Information

3150A- XX M XX B K00 X X

No. of Pins 2-100P	Contact Plating G0=Gold Flash G1=3u"Gold G2=5u"Gold G3=10u"Gold G4=15u"Gold G5=30u"Gold	Color Insulator B=Black	Packing T=Tube P=Tube+Mylar R=Reel+Mylar
-----------------------	---	----------------------------	---



REV	DATE	MODIFICATION DESCRIPTION	CHANGE	OPERATION	DRAW	DATE	SCALE	FIT	PART NO.
				x.X ±0.40	Allen	2015/03/31	UNIT	mm	3150A-XXMXXBK00XX
A1	2015/06/01	Modify	-----	x.XX ±0.25	CHECK	DATE	SIZE	A4	TITLE:
AO	2015/03/31	NEW	-----	x.XXX ±0.15	APPROVE	DATE	SHEET	1/1	1.00 BOX HEADER SMT H=3.45
				Angle ± 3'			PROJ.	Customer NO.	
				DIM TOL					