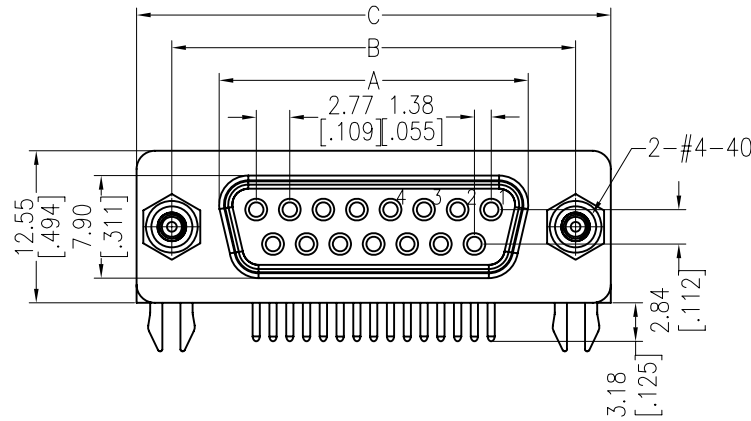


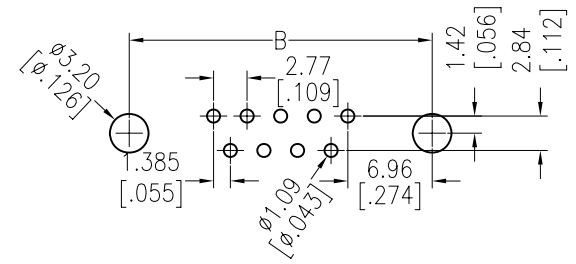
# HSF

NOTES:  
 Current Rating: 3.0AMP  
 Contact Resistance: 25mΩ Max  
 Withstand Voltage: 500V AC/DC  
 Insulation Resistance: 1000MΩ Min  
 Operation Temperature: -55°C to +105°C

Contact Material: Brass  
 Contact plating: Au Or Sn over Ni  
 Insulator Material: PBT+30%G.F UL94V-0  
 Sheel: Cold Roller Steel, Ni Plated  
 Revit/Harpoon: Brass, Sn Over Ni Plated  
 Screw: Brass, Ni Plated



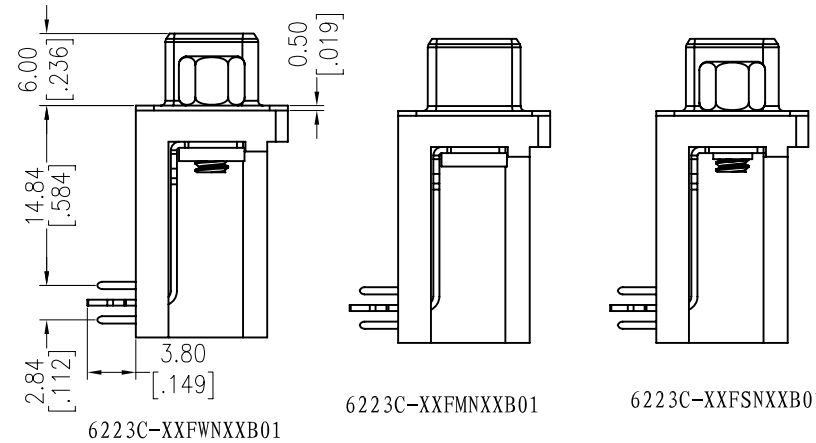
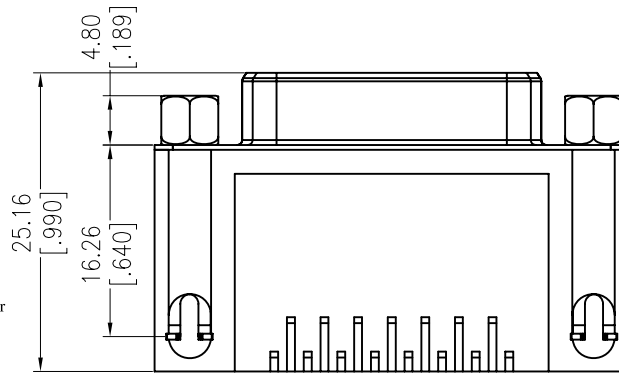
Recommended P.C.B Layout (Top Side)  
 (PCB BOARD TOLERANCE ±0.05)



## Ordering Information

6223C-XX F X N XX B 01

No. of Pins	Product Type	Contact Plating	Insulator Color
09,15,25,37P	W=With Revit With Screw M=With Revit Without Screw S=No Revit Lock With Screw	S0=Gold Flash/Tin S3=10u"Gold/Tin S4=15u"Gold/Tin S5=30u"Gold/Tin SN=Tin	B:Black U:Blue



No. of Positions	DIM "A"	DIM "B"	DIM "C"
09	16.30	24.99	30.81
15	24.66	33.32	39.14
25	38.38	47.04	53.04
37	54.83	63.50	69.32

REV	DATE	MODIFICATION DESCRIPTION	CHANGE	OPERATION	DRAW	DATE	SCALE	FIT	PART NO.
				x.x ±0.40	JYHuang	2012/12/06	UNIT	mm	6223C-XXFXNXXB01
				x.xx ±0.25	CHECK	DATE	SIZE	A4	TITLE:
				x.xxx ±0.15	APPROVE	DATE	SHEET	1/1	D-SUB FEMALE CONNECTOR
				Angle ± 3'			PROJ.		14.84 FOOTPRINT RIGHT ANGLE TYPE
				DIM TOL					Customer NO.