

HSF

NOTES:

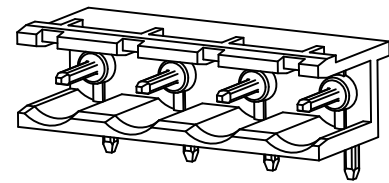
Rated Current:18.0 AMP
 Contact Resistance:8.0 milliohm Max
 Withstand Voltage:2000 V AC/DC
 Insulation Resistance:1000 Megohm min
 Operation Temperature:-40°C to +105°C

Housing Material:PA66+30%GF(UL94V-0)
 Contact Material:Brass
 Terminal Plating:
 Matte Tin Plated Over Nickel

Ordering Information:

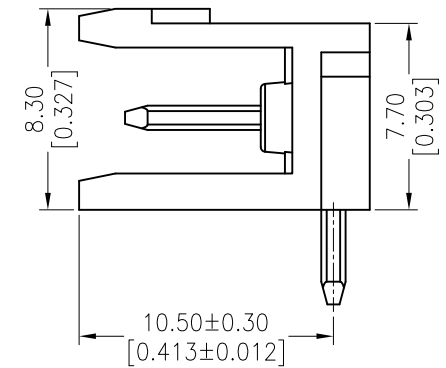
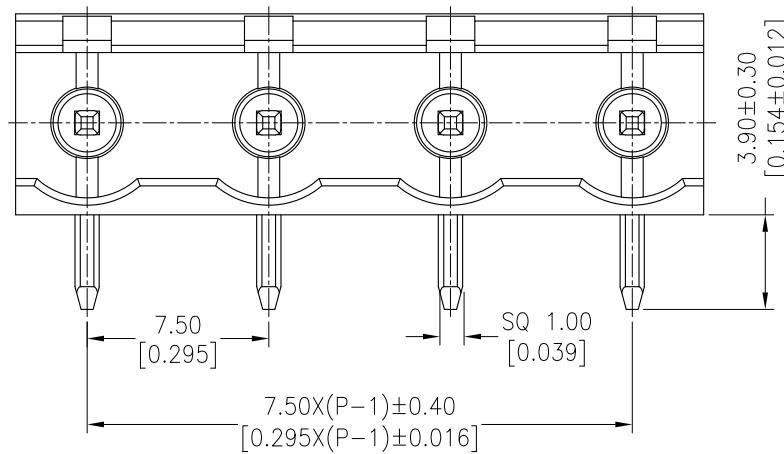
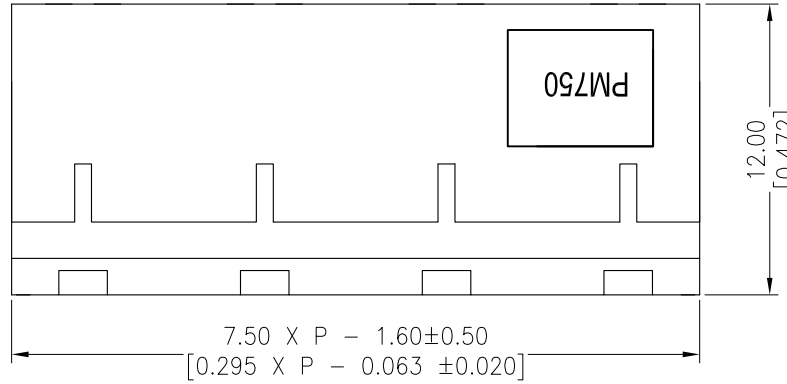
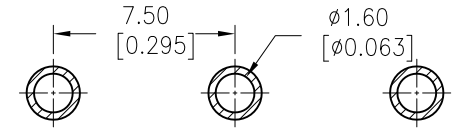
P M 750- 1 R XX A SM 3

M=Male Pitch 750=7.50 No.of Pins 02-20P Color A=Green Contact Plated SM=Matte Tin Series No. 3



3D VIEW(REF.)
 SCALE 1:2

Recommended P.C.B Layout(Top Side)
 (PCB BOARD TOLERANCE±0.05)



				OPERATION	DRAW	DATE	SCALE	FIT	PART NO.
				X.X ±0.40	Tsingsn	2013/11/06	UNIT	mm	PM750-1RXXASM3
				X.XX ±0.25	CHECK	DATE	SIZE	inch	TITLE:
				X.XXX ±0.15			SHEET	A4	7.50mm Pitch Male
A0	2013/11/06	NEW		Angle ± 3'	APPROVE	DATE	PROJ.	1/1	Pluggable Terminal Blocks
REV	DATE	MODIFICATION DESCRIPTION	CHANGE	DIM TOL					Customer NO.