

# HSF

**NOTES:**

Rated Current:3.0 AMP @120V.  
 Contact Resistance:30mΩ Max.  
 Withstand Voltage:600V MAX.  
 Insulation Resistance:1000MΩ Min.  
 Operation Temperature:-40°C to +105°C  
 -Solid Wire: 18 AWG  
 -Tin Bonded: 18 AWG(≤16 Strand)

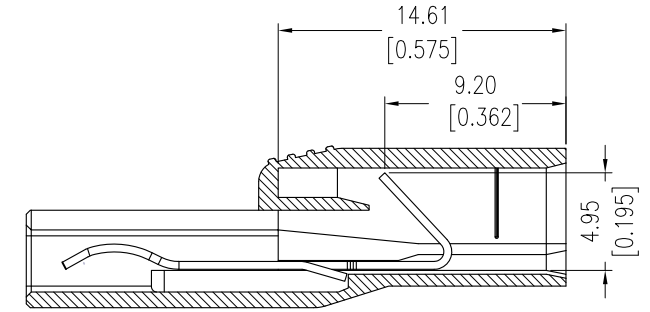
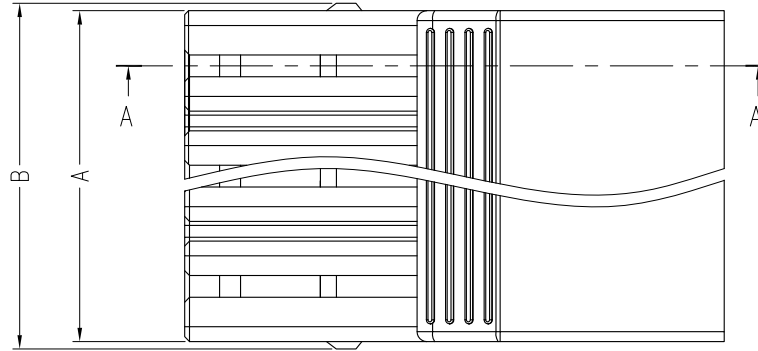
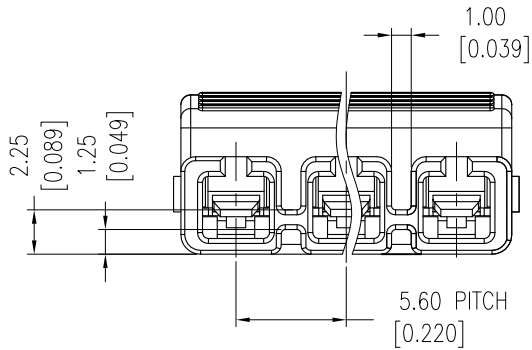
Contact Material:Phosphor Bronze(C5191)  
 Contact Plating: Sn over Ni  
 Main Body Material: PA66 UL94V-0

## Ordering Information

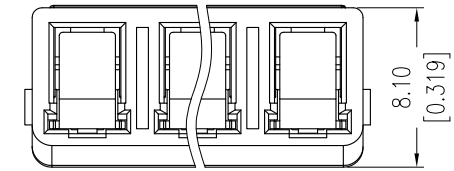
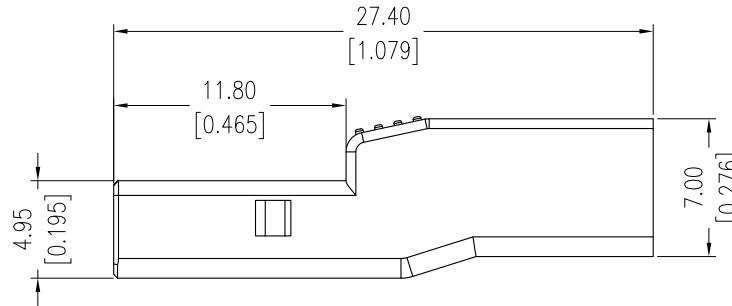
**L560 - HK - XX - C - 01**

No. of Pins  
 02: 2 pin  
 03: 3 pin

Color  
 C= Orange



SECTION A-A



|     |               |               |
|-----|---------------|---------------|
| 3   | 16.60 [0.654] | 17.40 [0.685] |
| 2   | 11.20 [0.441] | 11.95 [0.470] |
| PIN | A             | B             |

| REV | DATE       | MODIFICATION DESCRIPTION | CHANGE | OPERATION   | DRAW    | DATE       | SCALE | Fit | PART NO.              |
|-----|------------|--------------------------|--------|-------------|---------|------------|-------|-----|-----------------------|
|     |            |                          |        | x.X ±0.40   | JYHuang | 2015/12/07 | UNIT  | mm  | L560-HKXXC01          |
| A1  | 2015/12/07 | ADD DIM. TABLE           | ---    | x.XX ±0.25  | CHECK   | DATE       | SIZE  | A4  | TITLE:                |
| AO  | 2015/06/15 | NEW                      | ---    | x.XXX ±0.15 | APPROVE | DATE       | SHEET | 1/1 | LED CONN.MALE L=27.40 |
|     |            |                          |        | Angle ± 3'  |         |            | PROJ. | ⊕   | Customer NO.          |
|     |            |                          |        | DIM TOL     |         |            |       |     |                       |